

SECTION II GROUP ASSEMBLY PARTS LIST

NOTE: - Important. This publication reflects the use of repair kits intended to provide the user with most replacement parts usable at major overhaul, and at minor repair. Certain replacement parts are stocked only in kits. Those procurable parts not in kits are stocked in their appropriate class. Standard parts, and parts having multi-application, are stocked in their appropriate class, and may also be stocked in kits. Do not order kit parts from separate stock to serve the purpose of a kit. Refer to Source Code Definitions (Introduction) and to Source Code Column (Numerical Index of Part Numbers).

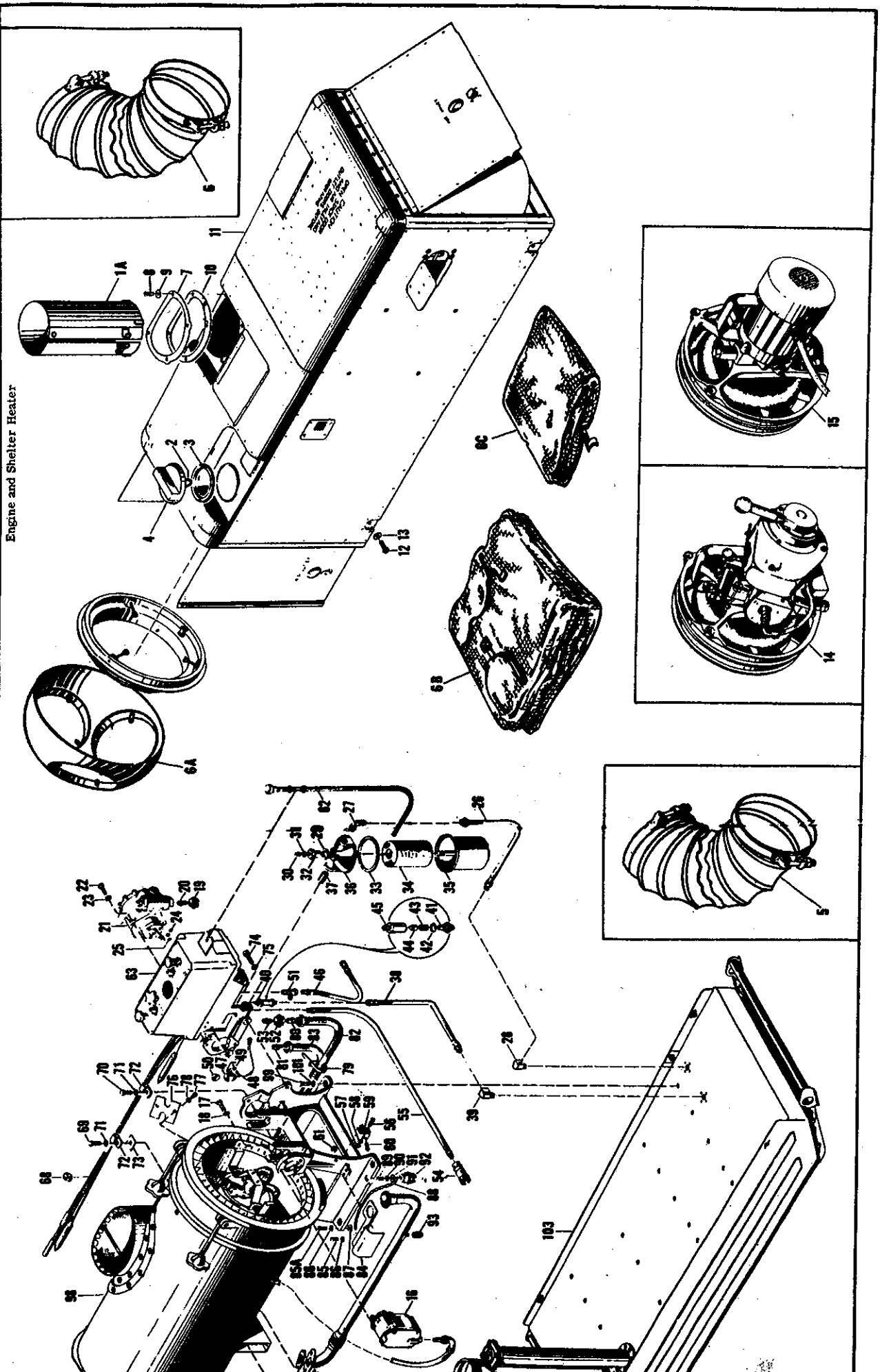
Figure & Index No.	Part Number	Description						Units Per Assy	Usable On Code
		1	2	3	4	5	6		
ENGINE AND SHELTER HEATER									
2-	BT400-1	HEATER, ENGINE AND SHELTER, Ground portable, . . gasoline burning, gasoline engine driven						1	A
2-	BT400-2	HEATER, ENGINE AND SHELTER, Ground portable, . . gasoline burning, single phase electric motor driven						1	B
2-	BT400-2A	HEATER, ENGINE AND SHELTER, Ground portable, . . gasoline burning, three phase electric motor driven						1	C
2-	BT400-4	HEATER, ENGINE AND SHELTER, Ground portable, . . gasoline burning, three phase electric motor driven, Type H-1						1	D
2-	BT400-10	HEATER, ENGINE AND SHELTER, Ground portable, . . gasoline burning, gasoline engine driven, Type H-1						1	E
-1	TDF42G	ADAPTER ASSY, DISCHARGE DUCT, 12 IN.						1	
-1A	TRF760A	EXTENSION ASSY, STACK						1	DE
2-	**TTF42	CAP AND GASKET ASSY, FUEL TANK FILLER						1	
	TT3011	CAP AND GASKET ASSY, FUEL TANK FILLER (ATTACHING PARTS)							
-2	2738	RING, KEY (Manufactured by 25828.) (TT324).						1	
-3	FC2505	GASKET, FUEL FILLER CAP (Manufactured by 78567.) (TT347)						1	
-4	*No Number	CAP, FUEL FILLER						NP	
-5	§TD423A	DUCT ASSY, 5-3/4 IN. x 15 FT						3	
-5	§§FT620-1	DUCT ASSY, 5-3/4 IN. x 15 FT (Manufactured by 83144.) (TD3011)						3	
-6	§TD424	DUCT ASSY, 11-3/4 IN. x 15 FT						2	
-6	§§FT619-1	DUCT ASSY, 11-3/4 IN. x 15 FT (Manufactured by 83144.) (TD3010)						2	
-6A	FT921	ADAPTER, 12 IN. to 6 IN. (Manufactured by 83144.) (TD425)						1	DE
-6B	TC3606	COVER, HEATER AND DUCTS						1	DE
-6C	TC3607	COVER, HEATER DUCT						1	DE
-7	TR828A	RING, HOLD DOWN, Exhaust stack gasket						1	

§ Used on units prior to Serial No. 84824.

§§ Used on Serial No. 84824 and later units.

* Indicates non-procurable part or assembly.

** Superseded by Part No. TT3011. Use Part No. TTF42 until exhausted.



Engine and Shelter Heater

Figure 2. Gasoline Burning Engine and Shelter Heater, Type H-1 and BT400 Series

Section II
Group Assembly Parts List

T. O. 35E7-2-3-4

Figure & Index No.	Part Number	Description						Units Per Assy	Usable On Code
		1	2	3	4	5	6		
2-34	9R4C	.	.	TUBE, HONEYCOMB FILTER				1	
				(Manufactured by 13800.)					
-35	82103	.	.	SHELL ASSY, FILTER (Manufactured				1	
				by 13800.)					
-36	04455	.	.	HEAD, FILTER (Manufactured by 13800.)				1	
-37	COML	.	.	NIPPLE, CLOSE, 3/8 IN., Extra heavy,				1	
				brass, CAD PL (TO582)					
-38	TO555A	.	.	LINE, FUEL, Tank to fuel control assembly				1	
-39	3400X4	.	.	ELBOW, STREET, 90° (Manufactured by				1	
				79470.) (TJ300)					
-40	K-1208-4-5	.	.	VALVE, CHECK (Manufactured by 34199.)				1	
				(TO585A)					
-41	A193	.	.	CAP, CHECK VALVE (Manufactured				1	
				by 34199.)					
-42	A190	.	.	GASKET, CHECK VALVE CAP				1	
				(Manufactured by 34199.)					
-43	A2331	.	.	SPRING, CHECK VALVE (Manufac-				1	
				tured by 34199.)					
-44	A637	.	.	DISK, CONE, Check valve (Manufac-				1	
				tured by 34199.)					
-45	A2329	.	.	BODY AND SEAT ASSY, CHECK VALVE				1	
				(Manufactured by 34199.)					
-46	TO631	.	.	LINE, FUEL, Control assembly to overboard				1	
				drain					
-47	TOF66B	.	.	DRAIN ASSY, PREHEATER				1	
				(ATTACHING PARTS)					
-48	AN515-10-5	.	.	SCREW				2	
-49	AN936A10	.	.	WASHER				2	
				---*---					
-50	TO651	.	.	SCREEN, FILTER, Preheater drain				1	
-51	COML	.	.	TEE, 1/8 NPT male x 1/8 NPT female x				1	
				1/4 IN. flare, brass CAD PL (CAT. NO.					
				53F, manufactured by 30327.) (TO637)					
-52	TO563C	.	.	CONNECTOR, SAFETY FUEL LINE				1	
-53	COML	.	.	UNION, HALF, 1/8 NPT x 1/4 SAE 45° flare,				1	
				brass, CAD PL (CAT. NO. 48 x 4,					
				manufactured by 30327.) (TO592A)					
-54	IDP1707A	.	.	SOCKET, COUPLING, Quick disconnect,				1	
				engine fuel (Manufactured by 79326.)					
				(TO635)					
-55	TO610	.	.	LINE, ENGINE FUEL				1	
				(ATTACHING PARTS)					
-56	AN515-10-8	.	.	SCREW				1	
-57	AN340-10	.	.	NUT				1	
-58	AN936A10	.	.	WASHER				1	
				---*---					
-59	784-7	.	.	CLAMP, FUEL LINE, Engine (Manufactured				1	
				by 83930.) (TM710)					
				(ATTACHING PARTS)					
-60	AN515-10-10	.	.	SCREW				1	
-61	AN340-10	.	.	NUT				1	
				---*---					
-62	*No Number	.	.	CONTROL ASSY, AIR VOLUME (See figure 3)				NP	
-63	TOA432A	.	.	CONTROL ASSY, FUEL (See figure 14)				1	AB
-63	TOA442	.	.	CONTROL ASSY, FUEL (See figure 14)				1	CDE
				(ATTACHING PARTS)					
-64	AN515-10-8	.	.	SCREW				1	
-65	AN340-10	.	.	NUT				1	
-66	AN936A10	.	.	WASHER				1	

* Indicates non-procurable part or assembly.

Figure & Index No.	Part Number	Description						Units Per Assy	Usable On Code
		1	2	3	4	5	6		
2-67	TO647	.					CLIP, CAPILLARY TUBE	1	
-68	TA250	.					GROMMET, CAPILLARY TUBE	1	
-69	COML	.					BOLT, MACH, HEX HD, 5/16-18 x 1-1/8 IN., STL, CAD PL (TM327B)	1	
-70	COML	.					BOLT, MACH, HEX HD, 5/16-18 x 1 IN., STL, CAD PL (HC51)	1	
-71	AN936A516	.					WASHER	2	
-72	1018-C2	.					CLIP, CABLE AND CAPILLARY TUBE (Manufactured by 70797.) (TA228)	2	
-73	TA218A	.					WASHER, SQUARE	1	
-74	COML	.					SCREW, CAP, SCH, 3/8-16 x 1-1/4 IN., STL, CAD PL (TO561)	3	
-75	AN936A616	.					WASHER	3	
-76	TA201A	.					COVER, FUEL LINE	1	
							(ATTACHING PARTS)		
-77	AN515-10-6	.					SCREW	2	
-78	AN936A10	.					WASHER	2	
-79	D2038	.					BAND, CLAMP (Manufactured by 57771.) (TO650)	1	
-80	TO556	.					LINE, FUEL, Nozzle by-pass	1	
-81	TO554	.					LINE, FUEL, Nozzle pressure	1	
-82	TO559D	.					LINE, SAFETY FUEL, Nozzle by-pass	1	
-83	TO558D	.					LINE, SAFETY FUEL, Nozzle pressure	1	
-84	TR791	.					RETAINER, EXHAUST PIPE, Engine	1	
							(ATTACHING PARTS)		
-85	AN515-10-6	.					SCREW	1	
-85A	AN515-10-8	.					SCREW	1	
-86	AN936A10	.					WASHER	2	
-87	COML	.					WASHER, FLAT, 5/8 IN. OD x 13/64 IN. ID x 1/32 IN. THK, STL, CAD PL (TD340B)	1	
-88	TR794A	.					CHAIN, ENGINE EXHAUST PLUG	1	
							(ATTACHING PARTS)		
-89	AN515-10-6	.					SCREW	1	
-90	AN936A10	.					WASHER	2	
-91	COML	.					WASHER, FLAT, 5/8 IN. OD x 13/64 IN. ID x 1/32 IN. THK STL, CAD PL (TD340B)	1	
-92	TR790A	.					PLUG, ENGINE EXHAUST PIPE	1	
-93	TA245	.					SPRING, BARREL COIL, Engine exhaust supporting	1	
-94	TRF757A	.					PIPE ASSY, ENGINE EXHAUST	1	
							(ATTACHING PARTS)		
-95	COML	.					SCREW, CAP, SCH, 8-32 x 3/4 IN. SST (TR815A)	4	
-96	COML	.					WASHER, FLAT, 5/8 IN. OD x 13/64 IN. ID x 1/32 IN. THK STL, CAD PL (TD340B)	4	
-97	TR783	.					GASKET, ENGINE EXHAUST	1	
-98	*No Number	.					HEAT GENERATOR, CASING AND SUPPORT. ASSY (See figure 3)	NP	
							(ATTACHING PARTS)		
-99	COML	.					BOLT, MACH, HEX HD, 5/16-18 x 1 IN., STL, CAD PL (HC51)	5	

* Indicates non-procurable part or assembly.

Section II
Group Assembly Parts List

T. O. 35E7-2-3-4

Figure & Index No.	Part Number	Description						Units Per Assy	Usable On Code
		1	2	3	4	5	6		
2-100	Deleted							
-101	MS35333-41	WASHER						5	
-102	TA218A	WASHER, SQUARE						2	
		-----*							
-103	TTA258A	TANK ASSY, FUEL COMPLETE (See						1	
		figure 15)							
2-	KS20	KIT, FIELD REPAIR, Pump assy						1	DE
2-	KS30	KIT, GASKET, Pump assy						1	DE
2-	KS40	KIT, REPAIR, Fuel filter						1	DE
2-	KS50	KIT, Gasket, accessory power drive						1	DE
2-	KS60	KIT, REPAIR, Primer						1	DE
2-	TMA3003	KIT, MOTOR BEARING REPAIR						1	BCD
2-	TMA3004	KIT, MOTOR GASKET REPAIR						1	BCD

Changed 23 March 1965

Figure & Index No.	Part Number	Description						Units Per Assy	Usable On Code
		1	2	3	4	5	6		
ENGINE AND SHELTER HEATER									
3-	No Number	HEAT GENERATOR, CASING AND SUPPORT ASSY. . . (See figure 2, item 98, for next higher assembly)						REF	
3-	No Number	CONTROL ASSY, Air volume (See figure 2, . . . item 62, for next higher assembly)						REF	
(ATTACHING PARTS)									
-1	AN515-8-7	SCREW						2	
-2	AN340-8	NUT						2	
-3	AN936A8	WASHER						2	
-4	TA207B	CLAMP, CABLE, Air volume control						1	
-5	TA242	WASHER, SPRING, 18 GA, 5/8 IN. OD, 9/32 . . IN. ID, SST						2	
-6	TA243A	BUSHING, CABLE						1	
-7	TA244B KNOB, AIR VOLUME CONTROL						1	
3-	F8251-4 CABLE ASSY, AIR VOLUME CONTROL . . (Manufactured by 70436.)(TA204C)						1	
-8	AN325-4 NUT						2	
-9	AN325-4 NUT						1	
-10	AN325-6 NUT						2	
-11	*No Number CABLE AND SHEATH ASSY						NP	
-12	TA209B	BRACKET, CABLE CLAMP						1	
(ATTACHING PARTS)									
-13	AN515-8-7	SCREW						2	
-14	AN340-8	NUT						2	
-15	AN936A8	WASHER						2	
-16	TRF759B	ARRESTER, SPARK, Exhaust stack						1	
-17	TRF758B	STACK, EXHAUST						1	
(ATTACHING PARTS)									
-18	AN515-10-6	SCREW						12	
-19	AN515C8-8	SCREW						12	
-20	AN936A10	WASHER						12	
-21	COML	WASHER, FLAT, 13/64 IDx5/8 ODx1/32 IN. . . THK, STL, CAD PL (TD340B)						24	
-22	TX592	GASKET, EXHAUST STACK, Wire woven asbestos						1	
-23	TX595	GASKET, EXHAUST STACK						1	
-24	TAF202	SUPPORT ASSY, BULB AND COIL						1	AB
-25	TAF206	SUPPORT ASSY, BULB AND COIL						1	CDE
(ATTACHING PARTS)									
-26	AN340-10	NUT						4	
-27	AN936A10	WASHER						2	
-28	TAF201F	CONTROL ASSY, AIR						1	
(ATTACHING PARTS)									
-29	AN515-10-6	SCREW						4	
-30	AN340-10	NUT						4	
-31	AN936A10	WASHER						4	
-32	TA235	BAFFLE, HEAT CONTROL						4	AB
-32	TA235	BAFFLE, HEAT CONTROL						2	CDE
3-	*No Number	HEAT GENERATOR ASSY						NP	
-33	TE1011C CABLE ASSY COMBUSTOR IGNITION						1	
-34	TO553C CLAMP, COMBUSTOR NOZZLE						1	

* Indicates non-procurable part or assembly.

Engine and Shelter Heater

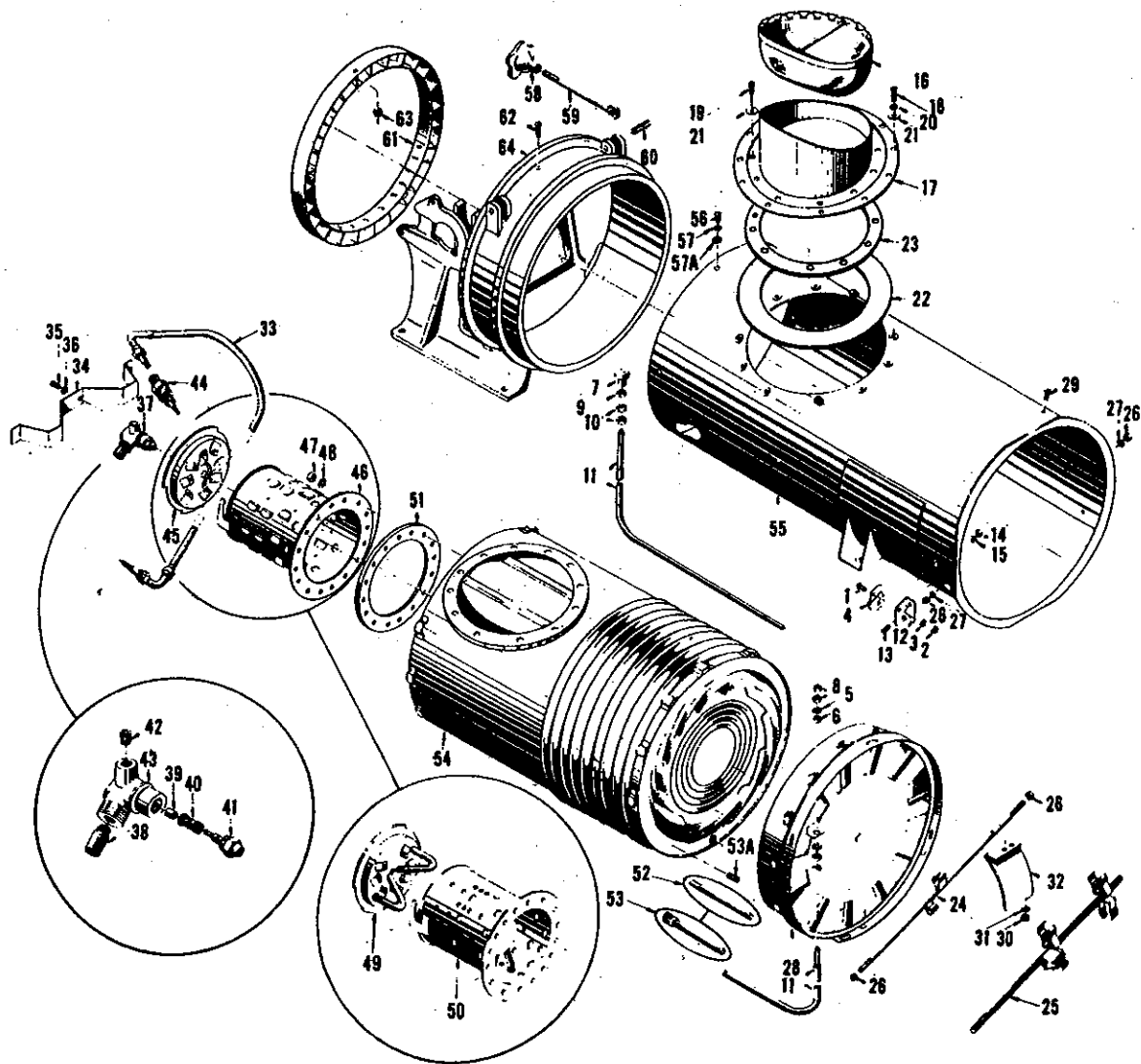


Figure 3. Heat Generator, Casing, and Support Assembly

Changed 10 June 1964

Figure & Index No.	Part Number	Description						Units Per Assy	Usable On Code
		1	2	3	4	5	6		
ENGINE AND SHELTER HEATER									
4-	TCA472A	CABINET ASSY, COMPLETE (See figure 2, item 11, ..						REF	
-1	TC238	POUCH, TOOL						1	
		(ATTACHING PARTS)							
-2	AN515-10-6	SCREW						4	
-3	AN936A10	WASHER						4	
-4	AN340-10	NUT						4	
-5	TC239A	STRIP, TOOL POUCH						2	
		---*---							
-6	TC641B	NAMEPLATE, MASTER INSTRUCTION						1	
		(ATTACHING PARTS)							
4-	COML	RIVET, EXPLOSIVE, Modified BRAZ HD,						4	
		NOM DIA 1/8 IN., grip length 0.073 IN.,							
		1/8 IN. LG, AL, anodized (TC430C)							
		---*---							
-7	TO565B	NAMEPLATE, DIAGRAM, Fuel system						1	
		schematic							
		(ATTACHING PARTS)							
4-	COML	RIVET, EXPLOSIVE, Modified BRAZ HD,						4	
		NOM DIA 1/8 IN., grip length 0.073 IN.,							
		1/8 IN. LG, AL, anodized (TC430C)							
		---*---							
-8	TC587F	NAMEPLATE, IDENTIFICATION, Blank						1	
		(ATTACHING PARTS)							
4-	COML	RIVET, EXPLOSIVE, Modified BRAZ HD,						4	
		NOM DIA 1/8 IN., grip length 0.073 IN.,							
		1/8 IN. LG, AL, anodized (TC430C)							
		---*---							
-9	TCF45B	SCREEN, GUARD						1	
		(ATTACHING PARTS)							
-10	AN510-8-10	SCREW						2	
-11	AN365D836	NUT						2	
		---*---							
4-	TCA460A	CABINET ASSY						1	
-12	TC589A	PLATE, SPRING HOLDING						2	
		(ATTACHING PARTS)							
-13	AN510-8-10	SCREW						6	
-14	AN365D836	NUT						6	
		---*---							
-15	TC588C	SPRING, INLET DOOR						2	
-16	TCA459A	DOOR ASSY, INLET, Complete						1	
		(ATTACHING PARTS)							
-17	AN510-8-10	SCREW						1	
-18	AN510-8-12	SCREW						2	
-19	AN365D836	NUT						3	
		---*---							
-20	TC704	HINGE, INLET DOOR						1	
		(ATTACHING PARTS)							
4-	AN470B4-6	RIVET						6	
4-	AN470B4-5	RIVET						3	
		---*---							
4-	TC590	PLATE, SPRING PROTECTION, ...						2	
		Inlet door							
4-	TC528	TAPE, BACKING, 1 IN.						AR	

Figure & Index No.	Part Number	Description						Units Per Assy	Usable On Code
		1	2	3	4	5	6		
4-21	TC543	.	.	.	LATCH, INLET DOOR			1	
					(ATTACHING PARTS)				
4-	AN470B4-5	.	.	.	RIVET			4	
					-----*				
-21A	TC643	.	.	.	CATCH, INLET DOOR			2	
					(ATTACHING PARTS)				
4-	AN470B4-4	.	.	.	RIVET			4	
					-----*				
4-	TC575A	.	.	.	GUIDE, INLET DOOR, RH			1	
					(ATTACHING PARTS)				
4-	AN470B4-5	.	.	.	RIVET			6	
					-----*				
-22	TC574A	.	.	.	GUIDE, INLET DOOR, LH			1	
					(ATTACHING PARTS)				
4-	AN470B4-5	.	.	.	RIVET			6	
					-----*				
-23	TC581	.	.	.	DOOR, INLET			1	
4-	TCA462	.	.	.	SUPPORT, TOP DOOR, RH			1	
					(ATTACHING PARTS)				
4-	AN470B6-7	.	.	.	RIVET			2	
4-	AN442B6-7	.	.	.	RIVET			2	
					-----*				
-24	TC1187	.	.	.	BAR, REMOVABLE, RH			1	
					(ATTACHING PARTS)				
-25	COML	.	.	.	NUT, HEX, Grip, 1/4-28 STL, . . .			1	
					CAD PL (TC614)				
-26	TC615	.	.	.	WASHER, FIBER, Friction			1	
-27	TC613	.	.	.	BOLT, CARRIAGE, Special			1	
					-----*				
-28	TC591	.	.	.	STOP, SUPPORT, RH			1	
-29	TC611	.	.	.	BAR ASSY, STATIONARY, RH			1	
-29A	TC1185	.	.	.	BRACKET, SUPPORT			1	
4-	TCA463	.	.	.	SUPPORT, TOP DOOR, LH			1	
					(ATTACHING PARTS)				
4-	AN470B6-7	.	.	.	RIVET			2	
4-	AN442B6-7	.	.	.	RIVET			2	
					-----*				
-30	TC1186	.	.	.	BAR, REMOVABLE, LH			1	
					(ATTACHING PARTS)				
-31	COML	.	.	.	NUT, HEX, Grip, 1/4-28 STL, . . .			1	
					CAD PL (TC614)				
-32	TC615	.	.	.	WASHER, FIBER, Friction			1	
-33	TC613	.	.	.	BOLT, CARRIAGE, Special			1	
					-----*				
-34	TC592	.	.	.	STOP, SUPPORT, LH			1	
-35	TC609	.	.	.	BAR ASSY, STATIONARY, LH			1	
-35A	TC1185	.	.	.	BRACKET, SUPPORT			1	
4-	TCA480	.	.	.	DOOR ASSY, TOP, Complete (Formerly . .			1	
					PN TCA461A)				
					(ATTACHING PARTS)				
4-	AN470B4-7	.	.	.	RIVET			7	
					-----*				
-36	TC701	.	.	.	HINGE, DOOR ASSEMBLY, Top			1	

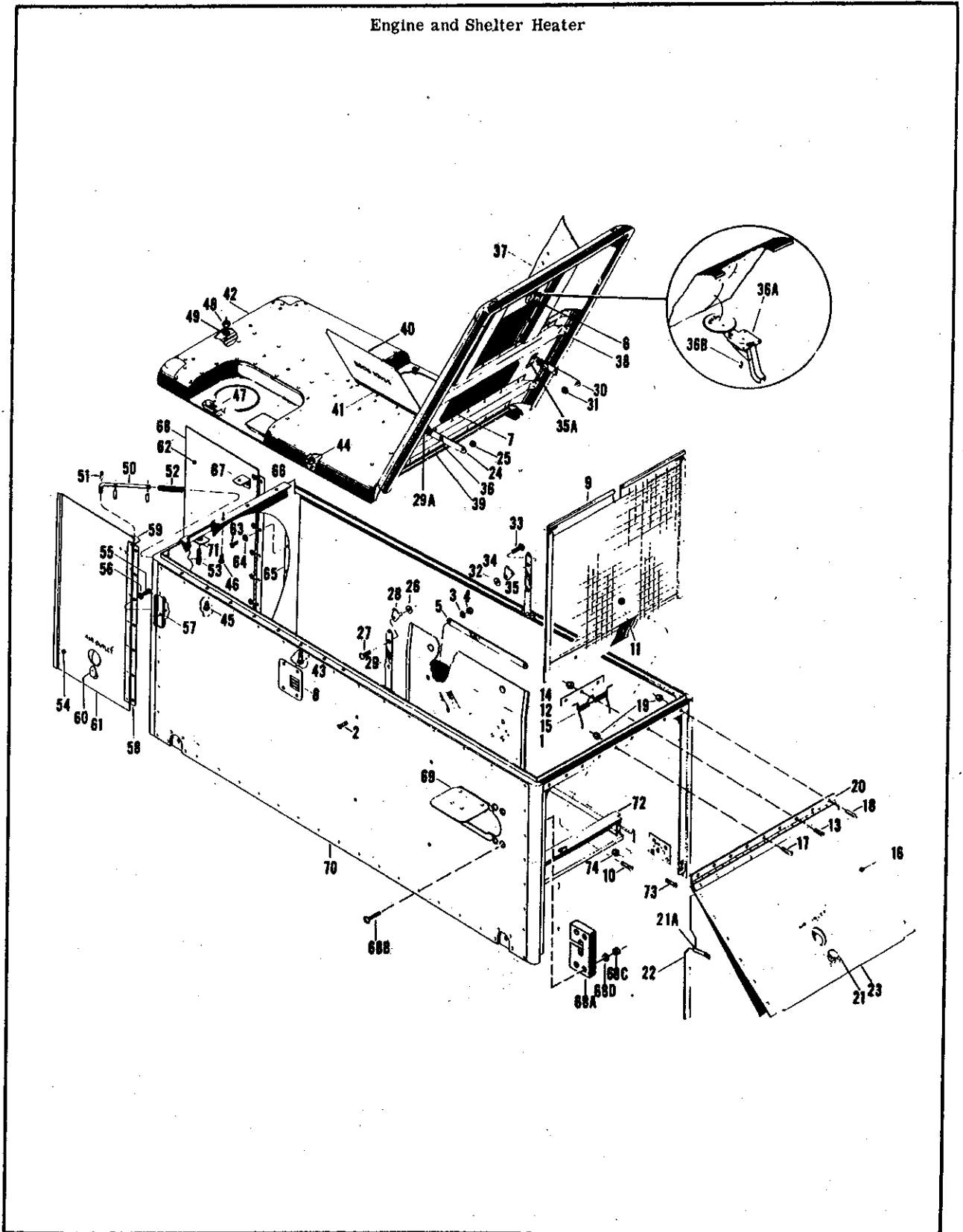


Figure 4. Cabinet Assembly Complete

Section II
Group Assembly Parts List

T. O. 35E7-2-3-4

Figure & Index No.	Part Number	1	2	3	4	5	Description	Units Per Assy	Usable On Code
							(ATTACHING PARTS)		
4-	AN470B4-6	.	.	.	RIVET		7	
-36A	TC640	.	.	.	LATCH, TOP DOOR		1	
							(ATTACHING PARTS)		
-36B	AN470B4-5	.	.	.	RIVET		4	
-37	TCA464	.	.	.	DOOR ASSY, CONTROL, Top		1	
							(ATTACHING PARTS)		
4-	AN470B4-6	.	.	.	RIVET		5	
4-	TC698	.	.	.	HINGE, CONTROL DOOR		...	1	
							(ATTACHING PARTS)		
4-	AN426B4-4	.	.	.	RIVET		5	
4-	3653	.	.	.	CATCH, SPRING (Manufactured by 01930.)		(TC628)	1	
							(ATTACHING PARTS)		
4-	AN470B4-4	.	.	.	RIVET		2	
4-	TC596A	.	.	.	DOOR, CONTROL		1	
-38	TCA465A	.	.	.	DOOR ASSY, TOP		1	
-39	TC555	.	.	.	GUTTER		1	
-40	TCA466	.	.	.	DOOR ASSY, STACK		1	
							(ATTACHING PARTS)		
4-	AN470B4-5	.	.	.	RIVET		4	
-41	TC700A	.	.	.	HINGE, STACK DOOR		1	
							(ATTACHING PARTS)		
4-	AN426B4-4	.	.	.	RIVET		4	
4-	TC572B	.	.	.	DOOR, STACK		1	
-42	TCA467	.	.	.	TOP ASSY, CABINET, Complete		1	
							(ATTACHING PARTS)		
-43	AN510-8-10	.	.	.	SCREW		6	
-44	AN365D836	.	.	.	NUT		6	
-45	AN515-6R6	.	.	.	SCREW		10	
-46	COML	.	.	.	SCREW, MACH, Truss HD, 6-32 x 5/16		IN., STL, CAD PL (TC620)	4	
-47	C8020-632-24	.	.	.	NUT, SPEED, (Manufactured by 78553.)		(TC617)	10	
-48	AN340-6	.	.	.	NUT		4	
-49	AN936B6	.	.	.	WASHER		4	
-50	TC632	.	.	.	ROD, DISCHARGE DOOR		2	
							(ATTACHING PARTS)		
-51	MS171496	.	.	.	ROLLPIN		8	
-52	TC629	.	.	.	SPRING, DOOR		2	
-53	TC631	.	.	.	TRUNNION		2	
-54	TCA468	.	.	.	DOOR ASSY, DISCHARGE, RH, complete		1	
							(ATTACHING PARTS)		
-55	AN520-10-8	.	.	.	SCREW		7	
-56	AN938A10	.	.	.	WASHER		7	
-57	TC606	.	.	.	STRIP, TAPPING		1	
-58	TC702	.	.	.	HINGE, DISCHARGE DOOR, RH...		1	

Figure & Index No.	Part Number	1	2	3	4	5	6	Description	Units Per Assy	Usable On Code
								(ATTACHING PARTS)		
4-	AN470B4-5	.	.	.				RIVET	7	
4-	AN940A11	.	.	.				WASHER	7	
								---*---		
-59	TC634	.	.	.				BRACKET, DISCHARGE DOOR ...	1	
								(ATTACHING PARTS)		
4-	AN470B4-4	.	.	.				RIVET	2	
								---*---		
-60	TC543	.	.	.				LATCH, DISCHARGE DOOR	1	
								(ATTACHING PARTS)		
4-	AN470B4-5	.	.	.				RIVET	4	
								---*---		
-61	TC584A	.	.	.				DOOR, DISCHARGE, RH	1	
-62	TCA469	.	.	.				DOOR ASSY, DISCHARGE, LH, complete	1	
								(ATTACHING PARTS)		
-63	AN520-10-8	.	.	.				SCREW	7	
-64	AN936A10	.	.	.				WASHER	7	
-65	TC806	.	.	.				STRIP, TAPPING	1	
								---*---		
-66	TC703	.	.	.				HINGE, DISCHARGE DOOR, LH...	1	
								(ATTACHING PARTS)		
4-	AN470B4-5	.	.	.				RIVET	7	
4-	AN940A11	.	.	.				WASHER	7	
								---*---		
-87	TC634	.	.	.				BRACKET, DISCHARGE DOOR ...	1	
								(ATTACHING PARTS)		
4-	AN470B4-4	.	.	.				RIVET	2	
								---*---		
-68	TC585A	.	.	.				DOOR, DISCHARGE, LH	1	
-68A	TC803	.	.	.				BLOCK, WEAR	1	
								(ATTACHING PARTS)		
-68B	AN515-10-20	.	.	.				SCREW	4	
-68C	22M-04	.	.	.				NUT, STOP (Manufactured by 72962.) .. (TO360)	4	
-68D	COML	.	.	.				WASHER, FLAT, 13/64 ID x 5/8 OD x .. 1/32 IN. THK, STL, CAD PL (TD340B)	4	
								---*---		
-69	TCA470	.	.	.				DOOR ASSY, CABLE OUTLET	1	
								(ATTACHING PARTS)		
4-	AN470B4-5	.	.	.				RIVET	2	
								---*---		
4-	TC699	.	.	.				HINGE, CABLE OUTLET DOOR ..	1	
								(ATTACHING PARTS)		
4-	AN470B4-5	.	.	.				RIVET	2	
								---*---		
4-	3653	.	.	.				CATCH, SPRING (Manufactured .. by 01930.) (TC628)	1	
								(ATTACHING PARTS)		
4-	AN470B4-4	.	.	.				RIVET	2	
								---*---		
4-	TC533A	.	.	.				DOOR, CABLE OUTLET	1	
-70	TCA471	.	.	.				CABINET ASSY, REPAIR	1	
4-	A25-80	.	.	.				RIVNUT (Manufactured by 25472.) .. (TC630)	2	
								(TC630)		
-71	TC633	.	.	.				BRACKET, DISCHARGE DOOR, .. Cabinet	2	

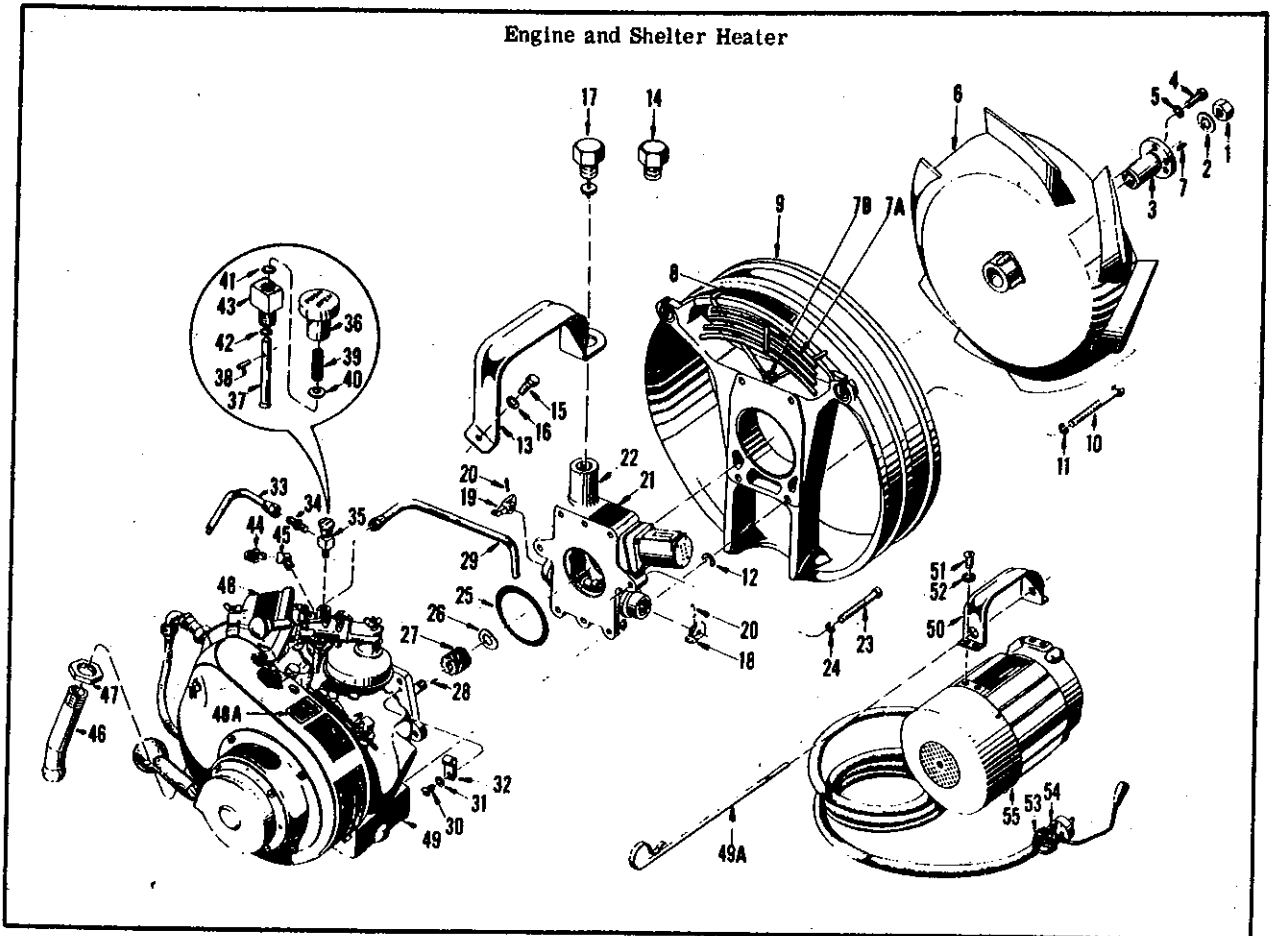


Figure 5. Prime Mover Assemblies

Figure & Index No.	Part Number						Description	Units Per Assy	Usable On Code
		1	2	3	4	5			
ENGINE AND SHELTER HEATER									
5-	ABT101	PRIME MOVER ASSY, GASOLINE ENGINE DRIVEN, . . . Complete (See figure 2, item 14, for next higher assembly)						REF	AE
5-	ABT202	PRIME MOVER ASSY, SINGLE PHASE ELECTRIC . . . MOTOR DRIVEN, Complete (See figure 2, item 15, for next higher assembly)						REF	B
5-	ABT104	PRIME MOVER ASSY, THREE PHASE ELECTRIC . . . MOTOR DRIVEN, Complete (See figure 2, item 15, for next higher assembly)						REF	CD
5-	TMF81D	FAN ASSY, VANEAXIAL						1	
(ATTACHING PARTS)									
-1	AN325-10	NUT						1	
-2	AN936A1016	WASHER						1	
-3	*TM610C	LINER, FAN HUB						NP	

* Indicates non-procurable part or assembly.

Figure & Index No.	Part Number	Description						Units Per Assy	Usable On Code
		1	2	3	4	5	6		
5-23	COML	.	.						
						(ATTACHING PARTS)			
						SCREW, CAP, SCH, 5/16-18 x 1-1/2	2		
-24	AN936A516	.	.			IN., STL, CAD PL (TM681)			
						WASHER	2		
						-----*			
-25	MS29513-234	.	.			RING, "O"	1		
-26	Deleted	.	.						
-27	*TM613D	.	.			GEAR, DRIVE SHAFT (See Note 1)	NP		
-28	AN280-305	.	.			KEY, WOODRUFF	1		
-29	TMF86	.	.			TUBE, PREHEATER DRAIN	1		AE
						(ATTACHING PARTS)			
-30	AN515-10-6	.	.			SCREW	1		AE
-31	AN936A10	.	.			WASHER	1		AE
-32	COML	.	.			CLAMP, TUBE, 1/4 OD tube x 3/8.	1		AE
						wide x 0.199 IN. DIA screw hole (TM686)			
						-----*			
-33	TMF87C	.	.			TUBE, CARBURETOR TO PREHEATER . .	1		AE
-34	COML	.	.			UNION, HALF, 1/8 male NPT x 1/4 IN. flare, brass (CAT. NO. 48F, Manufactured by 30327.) (TO592)	1		AE
-35	TMF88A	.	.			VALVE, ENGINE PREHEATER	1		AE
-36	*TM692B	.	.			KNOB, PREHEATER VALVE	NP		AE
-37	*TM693B	.	.			STEM, PREHEATER VALVE	NP		AE
						(ATTACHING PARTS)			
-38	*COML	.	.			PIN, GROOVE, Type 3, 1/16 DIA. . . .	NP		AE
						x 3/8 IN. LG, SST (TM695)			
						-----*			
-39	*TM690	.	.			SPRING, PREHEATER VALVE	NP		AE
-40	*COML	.	.			WASHER, FLAT, NO. 10 x 7/16	NP		AE
						OD x 0.036 IN., brass (CE16)			
-41	MS29513-8	.	.			RING, "O"	1		AE
-42	MS29513-112	.	.			RING, "O"	1		AE
-43	*TM691B	.	.			BODY, PREHEATER VALVE	NP		AE
-44	IDP1706	.	.			PLUG, COUPLING, Quick disconnect (Manufactured by 79326.) (TO636)	1		AE
-45	COML	.	.			ELBOW, STREET, 45°, 1/8 IN. NPT, . . .	1		AE
						brass (TM685)			
-46	TMF85	.	.			TUBE, ENGINE EXHAUST	1		AE
-47	COML	.	.			NUT, LK, Conduit, 1/2 NPT, STL,	1		AE
						CAD PL (TM703)			
-48	TM663C	.	.			PLATE, NAME, Preheater caution	1		AE
						(ATTACHING PARTS)			
5-	AN535-2-4	.	.			SCREW	2		AE
						-----*			
-48A	TM3735	.	.			DECAL, "Check oil"	1		AE
-49	AU-7B	.	.			ENGINE, GASOLINE, SPEC 339A (Manu-. .	1		AE
						factured by 88408.) (TM605D) (See figure 7)			
-49A	TM796A	.	.			STICK, DIP	1		BCD
-50	TM677B	.	.			HANDLE, ELECTRIC MOTOR	1		BCD
						(ATTACHING PARTS)			
-51	AN515-416-8	.	.			SCREW	4		BCD
-52	AN936A416	.	.			WASHER	4		BCD
						-----*			
-53	TE948	.	.			TAG, MINIMUM VOLTAGE	1		B

Note 1: Drive shaft gear TM613D is procurable only in a set with gear, accessory shaft, TM637C.
(See figure 6-22) Call for TMA495, gear set, accessory drive.

Indicates non-procurable part or assembly.

Section II
Group Assembly Parts List

T. O. 35E7-2-3-4

Figure & Index No.	Part Number	Description						Units Per Assy	Usable On Code
		1	2	3	4	5	6		
5-54	COML	.	.					1	B
-55	88M28CW	.	.					1	B
-55	101M55	.	.					1	CD

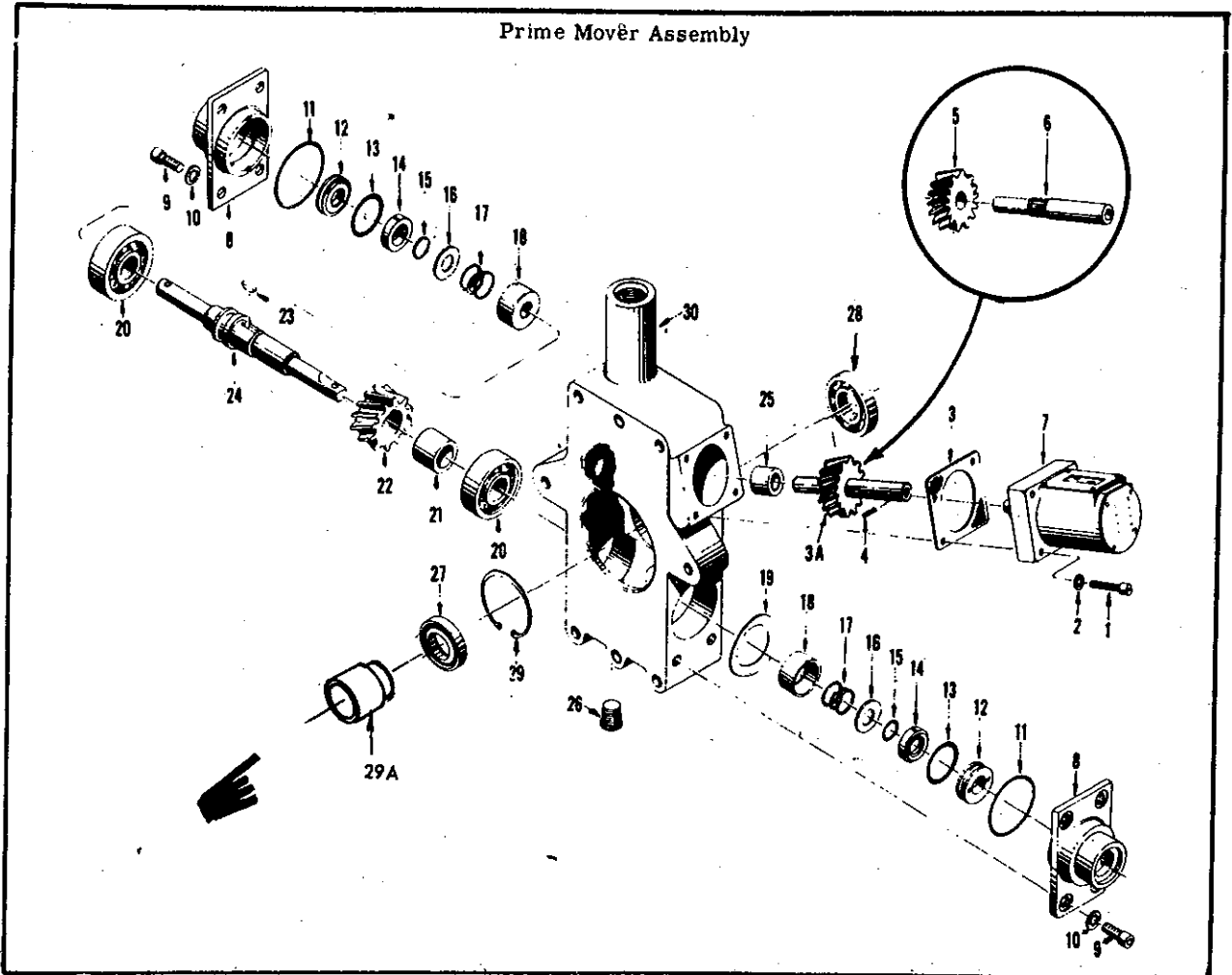


Figure 6. Accessory Power Drive Assembly

Figure & Index No.	Part Number	Description						Units Per Assy	Usable On Code
		1	2	3	4	5	6		
PRIME MOVER ASSEMBLY									
6-	TMA507	POWER DRIVE ASSY, ACCESSORY (See figure 5, . . . item 22, for next higher assembly)						REF	
	TMA3015	POWER DRIVE ASSY, ACCESSORY (See Figure 5, . . . item 22 for next higher Assy.) (Supersedes TMA 507)							
6-	TMA493	HOURMETER ASSY, With gear and shaft, complete (Hourmeter no longer required) (ATTACHING PARTS)						REF	
-1	AN500-8-16	SCREW						4	
-2	AN936A8	WASHER						4	
-3	**TM660 ##	GASKET, HOURMETER						1	
-3A	TM3001	GEAR AND SHAFT ASSY, HOURMETER (Supersedes items 5 and 6) (No longer required, see reference phrase above for PN TMA493) (ATTACHING PARTS)						REF	
-4	MS171466	ROLLPIN						1	

Change 8 - 3 June 1966

Figure & Index No.	Part Number	Description						Units Per Assy	Usable On Code
		1	2	3	4	5	6		
6-5	Deleted	(Superseded by item 3A)							
-6	Deleted	(Superseded by item 3A)							
-7	BM-113944	HOURMETER (Manufactured by 79142)						REF	
		(TM614B) (Hourmeter no longer required)							
-8	TM644D	BLOCK, TRUNNION						2	
		(ATTACHING PARTS)							
-9	COML	SCREW, CAP, SCH, 1/4-20 x 5/8 IN., STL,						8	
		CAP PL (TM645A)							
-10	AN936A416	WASHER						8	

-11	**TM643A##	RING, "O", 0.070 DIA, 1.600 IN. ID						2	
6-	TM642	SEAL ASSY						2	
-12	115462	FACE, STATIONARY SEAL (Manufactured by 99166.)						1	
		RING, "O" (Manufactured by 99166.)						1	
		(Formerly PN 3627-16-01-70)							
-13	123642##	SEAL (Manufactured by 99166.)						1	
		(Formerly PN 115442)							
-14	**127562##	RING, "O" (Manufactured by 99166.)						1	
		(Formerly PN 3627-9-01-70)							
-15	**123622##	WASHER (Manufactured by 99166.)						1	
-16	115421	SPRING (Manufactured by 99166.)						1	
-17	115431	HOUSING, SPRING (Manufactured by 99166.)						1	
-18	115452	WASHER, SPRING, 1-5/8 OL x 1-18 ID,						1	
		0.015 IN. THK, SAE 1045 STL							
6-	*No Number	SHAFT ASSY, ACCESSORY DRIVE						NP	
-20	3302X1A	BEARING, BALL, ACCESSORY DRIVE						2	
		SHAFT (Manufactured by 43334.) (TM641)							
-21	TM639A	SPACER, ACCESSORY DRIVE SHAFT						1	
-22	*TM637C	GEAR, ACCESSORY DRIVE SHAFT						NP	
		(See figure 5-27 and Note 1)							
-23	AN280-305	KEY, WOODRUFF						1	
-24	TM638H	SHAFT, ACCESSORY DRIVE						1	
-25	A-630-6	BEARING, LOWER, Hourmeter shaft, oil impregnated, bronze (Manufactured by 70417.) (TM650A)						1	
-26	COML	PLUG, DRAIN, 1/4-18 NPT, hollow, brass,						1	
		CAD PL (TM633B)							
-27	**64135	OILSEAL, DRIVESHAFT (Manufactured by 79150.) (TM629A) (Used on Assy PN TMA507)						1	
	64247##	OILSEAL, DRIVESHAFT (Manufactured by 79150) (TM3871) (used on assy PN TMA3015)							
-28	S-8-R	BEARING, BALL, DRIVESHAFT (Manufactured by 43991.) (TM628) (Used with Assy PN TMA507)						1	
	S-8-PP	BEARING, BALL, DRIVESHAFT (Manufactured by 21335) (TM3870) (Used on assy PN TMA3015)							
		(ATTACHING PARTS)							
-29	#5000-162	RING, RETAINING, INTERNAL (Manufactured by 79136.) (TM750)						1	
-29A	TM3868	SPACER, BEARING (Manufactured by 90598) (Used on assy PN TMA 3015)							

Change 8 - 3 June 1966

Figure & Index No.	Part Number	Description						Units Per Assy	Usable On Code
		1	2	3	4	5	6		
-30	TM630I	.	----					1	
				HOUSING, ACCESSORY POWER DRIVE					
				(Used on assy PN TMA507)					
	KS50	.		KIT, Gasket, accessory power drive				AR	
				(Used with Assy PN TMA507)					
	TM3872	.		HOUSING, ACCESSORY POWER DRIVE				1	
				(Used on Assy PN TMA3015)					
6-	KS230	.		KIT, GASKET, ACCESSORY POWER DRIVE				AC	
				(Used with Assy PN TMA3015)					

Note 1: Drive shaft gear TM613D is procurable only in a set with gear, accessory shaft, TM637C. Call for TMA495, gear set, accessory drive.

- * Indicates non-procurable part or assembly.
- ** Indicates component of parts kit, PN KS50
- # Not used on superseded power drive TMA491.
- ## Indicates component of parts kit PN KS230

Figure & Index No.	Part Number	Description						Units Per Assy	Usable On Code
		1	2	3	4	5	6		
PRIME MOVER ASSEMBLY									
7-	AU-7B	ENGINE, GASOLINE, SPEC 339A (Manufactured by . . . 88408) (See figure 5, item 49, for next higher assembly) (TM605C)						REF	AE
-1	*No Number	INTAKE ASSY, FUEL (See figure 8)						NP	AE
(ATTACHING PARTS)									
-2	AN515-416-12	SCREW						2	AE
-3	COML	WASHER, LK, 17/64 x 1/16 IN., medium, SPG STL						2	AE
-----*									
-4	AA7-F-291	GASKET, MANIFOLD TO CRANKCASE (Manufactured by 88408.)						1	AE
-5	AA7-T-291	LINKAGE, CHOKE CONTROL TO CARBUR- ETOR (Manufactured by 88408.)						1	AE
7-	AA7-S-4050	CONTROL ASSY, CHOKE, Complete (Manu- factured by 88408.)						1	AE
(ATTACHING PARTS)									
-6	AN500-10-10	SCREW						1	AE
-7	AN936A10	WASHER						1	AE
-8	COML	WASHER, LK, INT-EXT NO. 10, STL, CAD PL						1	AE
-----*									
7-	AA7-S-4110	CONTROL ASSY, CHOKE (Manufactured by 88408.)						1	AE
-9	AA7-S-293	KNOB, CHOKE CONTROL (Manu- factured by 88408.) (04710 part NO. D-146)						1	AE
-10	AN340-10	NUT						1	AE
-11	AA7-S-296	SLEEVE, CHOKE CONTROL (Manufactured by 88408.) (04710 part NO. D-147)						1	AE
-12	AA7-S-295	SPRING, FRICTION, Choke control. (Manufactured by 88408.) (04710 part NO. D-148)						1	AE
-13	AA7-S-294	NUT, CHOKE CONTROL (Manufactured by 88408.) (04710 part NO. D-149)						1	AE
-14	AA7-SA-205	ROD, CHOKE CONTROL (Manu- tured by 88408.) (04710 part NO. D-151)						1	AE
-15	AA7-T-290	BRACKET, CHOKE CONTROL (Manufactured by 88408.)						1	AE
7-	AA7-O-5260	RECOIL STARTER ASSY						1	AE
(ATTACHING PARTS)									
-16	AN340-10	NUT						4	AE
-17	AN936A10	WASHER						4	AE
-----*									
-18	AA7-O-233	HOUSING, STARTER (Manufactured by 88408.) (99206 part NO. 1150-8A-MIL)						1	AE
(ATTACHING PARTS)									
-19	AA7-O-2400	SCREW AND LOCK WASHER ASSY (Manu- factured by 88408.) (99126 part NO. 1150-1)						4	AE

* Indicates non-procurable part or assembly.

T.O. 35E7-2-3-4

Figure & Index No.	Part Number	Description						Units Per Assy	Usable On Code
		1	2	3	4	5	6		
7-20	AA7-O-232	.	.					1	AE
						PLATE, NUT (Manufactured by 88408.) (99026 part NO. 1150-15-MIL)			
						-----*			
-21	AA7-O-2810	.	.			HANDLE AND CABLE ASSY (Manufactured by 88408.) (99026 part NO. 1150-24-MIL)		1	AE
						(ATTACHING PARTS)			
-22	AA7-O-239	.	.			NUT, HEX (Manufactured by 88408.) (99026 part NO. 1150-14)		1	AE
-23	AA7-O-236	.	.			WASHER (Manufactured by 88408.) (99026 part NO. 1150-20A-MIL)		1	AE
						-----*			
-24	AA7-O-3120	.	.			SHEAVE, HOUSING ASSY (Manufactured by 88408.) (99026 part NO. 1150-7A-MIL)		1	AE
-25	Deleted							
-26	Deleted							
-27	1150-9-MIL	.	.			DRIVING MEMBER, CLUTCH (Manufactured by 99026.) (88408 part NO. AA7-O-223)		1	AE
-28	1150-10A	.	.			PIN, DRIVING (Manufactured by 99026.) (88408 part NO. AA7-O-224)		1	AE
-29	AA7-O-243	.	.			AXLE, SHEAVE (Manufactured by 88408.) (99026 part NO. 1150-3B-MIL)		1	AE
-30	AA7-O-3190	.	.			PLATE ASSY, MOUNTING (Manufactured by 88408.) (99026 part NO. 1150-17-MIL)		1	AE
-31	AA7-O-320	.	.			SPRING, CABLE RETURN (Manufactured by 88408.)		1	AE
-32	AA7-O-2350	.	.			SHEAVE ASSY (Manufactured by 88408.) (99026 part NO. 1150-5-MIL)		1	AE
-33	AA7-O-230	.	.			NUT, DRIVEN, Clutch (Manufactured by 88408.) (99026 part NO. 9-18-109-8)		1	AE
-34	AA7-O-213	.	.			WASHER, SHIM (Manufactured by 99026.)		AR	AE
-35	AA7-X-241	.	.			PLATE, NAME, ENGINE (Manufactured by 99026.)		1	AE
						(ATTACHING PARTS)			
7-	COML	.	.			RIVET, TINNERS, 6 OZ x 1/8 IN.		4	AE
						-----*			
-36	AA7-X-242	.	.			PLATE, WARNING, Oil capacity (Manufactured by 99026.)		1	AE
						(ATTACHING PARTS)			
7-	COML	.	.			RIVET, TINNERS, 6 OZ x 1/8 IN.		2	AE
						-----*			
-37	AA7-K-5360	.	.			SHROUD ASSY, FLYWHEEL (Manufactured by 99026.)		1	AE
						(ATTACHING PARTS)			
-38	COML	.	.			BOLT, HEX HD, 1/4-20 x 7/16 IN., STL		3	AE
-39	AN335-4	.	.			NUT		2	AE
-40	COML	.	.			WASHER, LK, INT tooth, 1/4 IN., STL, CAD PL		5	AE
						-----*			
-40A	AA7-X-239	.	.			PLATE, INSTRUCTION, Stop switch (Manufactured by 88408.)		1	AE
7-	AA7-M-5200	.	.			MAGNETO ASSY (Manufactured by 88408.) (79575 part NO. L-6745)		1	AE
-41	Y-7681	.	.			FLYWHEEL, FAN AND ROTOR (Manufactured by 79575.) (88408 part NO. AA7-M-4490)		1	AE

Prime Mover Assembly

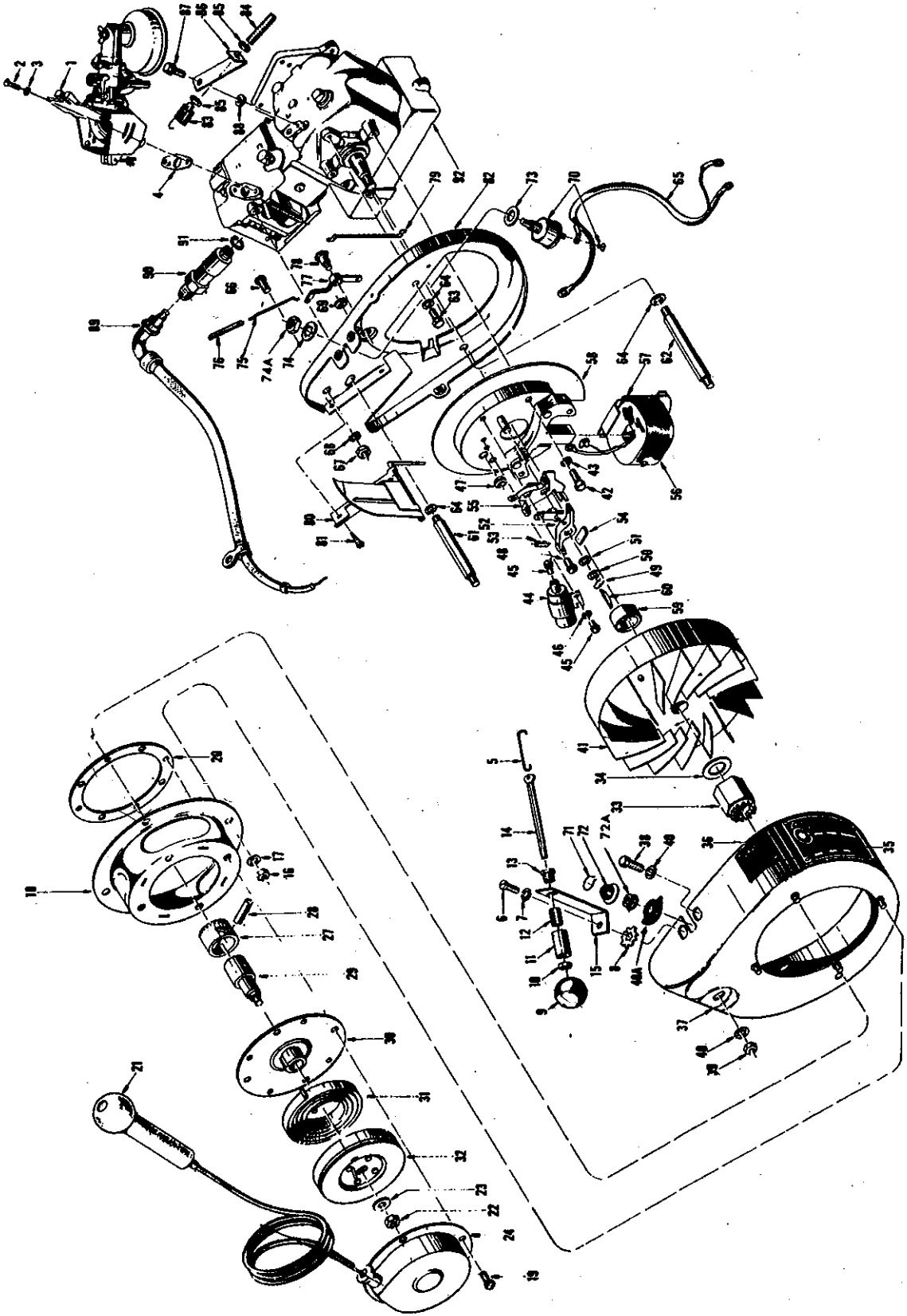


Figure 7. Gasoline Engine

Figure & Index No.	Part Number	Description						Units Per Assy	Usable On Code
		1	2	3	4	5	6		
* 7-	X-7675	.	.					1	AE
						STATOR PLATE, COMPLETE (Manufactured by 79575.) (88408 part NO. AA7-M-3240)			
						(ATTACHING PARTS)			
-42	COML	.	.			BOLT, HEX HD, 1/4-20 x 7/16 IN., STL.		2	AE
-43	AN936A416	.	.			WASHER		2	
						-----*			
-44	X-6028	.	.			CAPACITOR (Manufactured by 79575.) (88408 part NO. AA7-M-2490)		1	AE
						(ATTACHING PARTS)			
-45	5431	.	.			SCREW AND LOCKWASHER ASSY. (Manufactured by 79575.) (88408 part NO. AA7-M-245)		3	AE
-46	AN936A10	.	.			WASHER		1	
						-----*			
-47	AA7-N-230	.	.			GROMMET, NEOPRENE		1	AE
7-	X-5861F	.	.			REPLACEMENT SET, BREAKER POINT (Manufactured by 79575.) (88408 part NO. AA7-M-2480)		1	AE
						(ATTACHING PARTS)			
-48	5806	.	.			SCREW AND LOCKWASHER ASSY. (Manufactured by 79575.) (88408 part NO. AA7-M-247)		1	AE
-49	4585	.	.			LOCK, BREAKER ARM (Manufactured by 79575.) (88408 part NO. AA7-M-241)		1	AE
-50	2357T	.	.			WASHER, SPACING (Manufactured by 79575.) (88408 part NO. AA7-M-240)		AR	AE
-51	5220	.	.			WASHER, SPACING (Manufactured by 79575.) (88408 part NO. AA7-M-244)		AR	AE
						-----*			
-52	*No Number	.	.			CONTACT ASSY, MOVABLE (Manufactured by 79575.)		NP	AE
-53	2145	.	.			SPRING, BREAKER ARM (Manufactured by 79575.) (88408 part NO. AA7-M-238)		1	AE
-54	6984	.	.			FELT, CAM WIPER (Manufactured by 79575.) (88408 part NO. AA7-M-211)		1	AE
-55	*No Number	.	.			CONTACT ASSY, FIXED (Manufactured by 79575.)		NP	AE
-56	X-7680	.	.			COIL (Manufactured by 79575.) (88408 part NO. AA7-M-3470)		1	AE
-57	X-7679	.	.			SHIELD, COIL (Manufactured by 79575.) (88408 part NO. AA7-M-3480)		1	AE
-58	X-7678	.	.			PLATE ASSY, STATOR (Manufactured by 79575.) (88408 part NO. AA7-M-3490)		1	AE
-59	6723	.	.			CAM, BREAKER (Manufactured by 79575.) (88408 part NO. AA7-M-250)		1	AE
-60	AA7-M-262	.	.			KEY, WOODRUFF, 1/8 x 7/8 IN., special (Manufactured by 88408.)		1	AE

* Indicates non-procurable part or assembly.

Figure & Index No.	Part Number	Description						Units Per Assy	Usable On Code
		1	2	3	4	5	6		
GASOLINE ENGINE									
8-	No Number	INTAKE ASSY, FUEL (See figure 7, item 1, for next higher assembly)						REF	AE
8-	AA7-F-4860	AIR CLEANER AND ELBOW ASSY (Manu- factured by 88408.)						1	AE
(ATTACHING PARTS)									
-1	AN515-8-28	SCREW						2	AE
-2	AN935-8	WASHER						2	AE
-----*									
-3	AA7-F-3690	CLEANER ASSY, AIR (Manufactured by 88408.)						1	AE
(ATTACHING PARTS)									
-4	COML	NUT, WING, 10-24 STL, CAD PL						1	AE
-5	COML	BOLT, CARRIAGE, 10-24 x 2-1/2						1	AE
-6	AA7-FA-213	IN, STL, CAD PL WASHER, PLAIN, 1-1/16 OD x 5/16						1	AE
-7	AN936A10	IN, ID, AL (Manufactured by 88408.) WASHER						1	AE
-----*									
-8	AA7-F-358	ELBOW, AIR CLEANER						1	AE
8-	AA7-F-4850	CARBURETOR ASSY (Manufactured by 88408.) . . .						1	AE
(ATTACHING PARTS)									
-9	AN335-4	NUT						2	AE
-10	COML	WASHER, LK, 17/64 x 1/16 IN., MED SPG STL . . .						2	AE
-11	COML	BOLT, HEX HD, 1/4-20 NC-3 x 3/4 IN., STL . . .						2	AE
-----*									
8-	B12-11455	BODY, THROTTLE, NO. 12 Venturi, . . . complete (Manufactured by 79960.)						1	AE
(ATTACHING PARTS)									
-12	§T301S8-8	SCREW AND LOCKWASHER ASSY (Manu- factured by 79960.)						3	AE
-----*									
-13	C21-173	PLATE, THROTTLE (Manufactured by 79960.)						1	AE
(ATTACHING PARTS)									
-14	§T311S3-3	SCREW AND LOCKWASHER ASSY. (Manufactured by 79960.)						1	AE
-----*									
-15	AN500-6-7	SCREW						1	AE
-16	CR25-126	LEVER, THROTTLE STOP (Manufactured by 79960.)						1	AE
(ATTACHING PARTS)									
-17	AN340-6	NUT						1	AE
-18	AN936B6	WASHER						1	AE
-19	CT52-19	SPACER, THROTTLE LEVER (Manufactured by 79960.)						1	AE
-----*									
-20	C29-898	SHAFT AND LEVER, THROTTLE (Manufactured by 79960.)						1	AE
-21	§C46-55	SCREW, IDLE ADJUSTING (Manu- factured by 79960.)						1	AE
-22	C111-176	SPRING, IDLE ADJUSTING SCREW. (Manufactured by 79960.)						1	AE

§ Indicates parts which comprise carburetor repair kit K11455 (Manufactured by 79960).

Section II
Group Assembly Parts List

T. O. 35E7-2-3-4

Figure & Index No.	Part Number	Description						Units Per Assy	Usable On Code
		1	2	3	4	5	6		
8-23	§C73-59	.	.	.			NEEDLE, ADJUSTING, Main discharge (Manufactured by 79960.)	1	AE
-24	C111-10	.	.	.			SPRING, MAIN DISCHARGE ADJUSTING NEEDLE (Manufactured by 79960.)	1	AE
-25	C102-96	.	.	.			PLATE, AIR SHUTTER (Manufactured by 79960.)	1	AE
-26	§T311S3-3	.	.	.			(ATTACHING PARTS) SCREW AND LOCKWASHER ASSY . . (Manufactured by 79960.)	1	AE
-27	C108-108	.	.	.			----- LEVER AND SHAFT ASSY, AIR . . . SHUTTER (Manufactured by 79960.)	1	AE
-28	§C81-56-20	.	.	.			VALVE AND SEAT ASSY, FUEL . . . (Manufactured by 79960.)	1	AE
-29	**T56-4	.	.	.			WASHER, FUEL VALVE SEAT, . . . Fiber (Manufactured by 79960.)	1	AE
-30	11455A	.	.	.			BODY ASSY, THROTTLE (Manufactured by 79960.)	1	AE
8-	*C63-176		TUBE, IDLE (Manufactured by 79960.)	NP	AE
8-	*C66-87-1		TUBE, METERING WELL. . . . (Manufactured by 79960.)	NP	AE
-31	§**C142-57	.	.	.			GASKET, BOWL TO BODY (Manufactured by 79960.)	1	AE
-32	C85-17	.	.	.			FLOAT (Manufactured by 79960.)	1	AE
-33	§C120-55	.	.	.			AXLE, FLOAT (Manufactured by 79960.) . .	1	AE
-34	§C137-49	.	.	.			(ATTACHING PARTS) RETAINER, FLOAT AXLE (Manufactured by 79960.)	2	AE
-35	§C86-45	.	.	.			----- HINGE, FLOAT (Manufactured by 79960.) .	1	AE
-36	C138-53	.	.	.			PLUG, LOWER (Manufactured by 79960.) .	1	AE
-37	§**T56-12	.	.	.			WASHER, LOWER PLUG	1	AE
-38	§C52-1-14	.	.	.			JET, MAIN (Manufactured by 79960.)	1	AE
-39	**T56-25	.	.	.			WASHER, MAIN JET, Fiber (Manufactured by 79960.)	1	AE
-40	BR3-105A	.	.	.			BOWL, FUEL (Manufactured by 79960.) . .	1	AE
-41	§C141-15	.	.	.			GASKET, FLANGE, Carburetor to manifold . . . (Manufactured by 79960.) (88408 part NO. AA7-F-291)	1	AE
-42	COML	.	.	.			UNION, HALF, 1/8 NPT pipe x 1/4 SAE 45° . . . flare brass CAD PL (CAT. NO. 48F, Manufactured by 79470.) (T0592A)	1	AE
-43	AA7-FA-201	.	.	.			WICK, MANIFOLD, 3 IN. LG (Manufactured by 88408.) (75165 part NO. 4202)	1	AE
8-	AA7-F-3680	.	.	.			MANIFOLD ASSY, INTAKE, Heated (Manufactured by 88408.)	1	AE
-44	AN350-832	.	.	.			NUT, WING	1	AE
-45	AA7-F-297	.	.	.			BOLT, EYE (Manufactured by 88408.) . . .	1	AE
-46	COML	.	.	.			(ATTACHING PARTS) PIN, GROOVE 3/16 x 3/4 IN., type "E", . . . STL, CAD PL	1	AE

§ Indicates parts which comprise carburetor repair kit K11455 (Manufactured by 79960).

* Indicates non-procurable part or assembly.

** Indicates parts which comprise carburetor gasket kit C181-310 (Manufactured by 79960).

Section II
Group Assembly Parts List

T. O. 35E7-2-3-4

Figure & Index No.	Part Number	Description						Units Per Assy	Usable On Code
		1	2	3	4	5	6		
8-47	AA7-F-357	.	.	LID, HEATED MANIFOLD (Manu-				1	AE
				tured by 88408.)					
				(ATTACHING PARTS)					
-48	AN535-8-8	.	.	SCREW, DRIVE, RD HD, blunt NO. 8 . . .				2	AE
				x 1/2 IN.					
				-----*					
-49	AA7-F-489	.	.	MANIFOLD, INTAKE, Heated				1	AE
				(Manufactured by 88408.)					

Figure & Index No.	Part Number	Description						Units Per Assy	Usable On Code
		1	2	3	4	5	6		
GASOLINE ENGINE									
9-	No Number	CYLINDER AND CRANKCASE ASSY COMPLETE . . .						REF	AE
		(See figure 7, item 92, for next higher assembly)							
-1	AA7-K-437	. BAFFLE, CYLINDER HEAD, Air (Manu-						1	AE
		factured by 88408.)							
		(ATTACHING PARTS)							
-2	AA7-K-306	. SPRING, CYLINDER AIR BAFFLE (Manu-						1	AE
		factured by 88408.)							
		----*----							
-3	AA7-K-421	. BAFFLE, AIR CYLINDER, Upper (Manu-						1	AE
		factured by 88408.)							
-4	AA7-K-445	. BAFFLE, AIR CYLINDER, Lower (Manu-						1	AE
		factured by 88408.)							
		(ATTACHING PARTS)							
-5	AA7-K-206	. SPRING, AIR BAFFLE (Manufactured by						2	AE
		88408.)							
		----*----							
-6	AA7-A-406	. HEAD, CYLINDER (Manufactured by 88408.) . .						1	AE
		(ATTACHING PARTS)							
-7	COML	. BOLT, HEX HD, 5/16-18 x 1-1/4 IN., STL, . .						7	AE
		heat treated							
-8	COML	. WASHER, PLAIN, 21/64 x 5/8 x 1/16 IN., . . .						7	AE
		STL							
		----*----							
-9	AA7-A-305	. GASKET, CYLINDER HEAD (Manufactured . . .						1	AE
		by 88408.)							
-10	AA7-B-2440	. BREATHER ASSY (Manufactured by 88408.) . . .						1	AE
-11	Deleted							
-12	Deleted							
-13	Deleted							
-14	AA7-A-202	. COVER, TAPPET CHAMBER (Manufactured . .						1	AE
		by 88408.)							
		(ATTACHING PARTS)							
-15	AN515-416-20	. SCREW						1	AE
-16	AA7-B-279	. WASHER ASSY, SEALING (Manufactured						1	AE
		by 88408.)							
		----*----							
-16A	AA7-K-446	. BAFFLE, AIR (Manufactured by						1	AE
		88408.)							
-17	AA7-A-203	. GASKET, TAPPET CHAMBER COVER						1	AE
		(Manufactured by 88408.)							
-18	AA7-I-308	. VALVE, INTAKE, Top (Manufactured by						1	AE
		88408.)							
-19	AA7-I-211	. LOCK, VALVE RETAINER (Manufactured by . .						2	AE
		88408.)							
		----*----							
-20	AA7-I-210	. CAP, VALVE RETAINER (Manufactured by . .						1	AE
		88408.)							
-21	AA7-I-203	. SPRING, VALVE (Manufactured by 88408.) . . .						1	AE
		(Supersedes PN AA7-I-221)							
-22	AA7-I-209	. CUP, VALVE TIP (Manufactured by 88408.) . . .						1	AE
-23	AA7-I-307	. VALVE, EXHAUST, Bottom (Manufactured . . .						1	AE
		by 88408.)							
		(ATTACHING PARTS)							
-24	AA7-I-211	. LOCK, VALVE RETAINER (Manufactured						2	AE
		by 88408.)							
		----*----							

φ Indicates parts which are supplied in the overhaul gasket set, Part NO. AA7-U-114 (Manufactured by 88408).

Section II
Group Assembly Parts List

Gasoline Engine

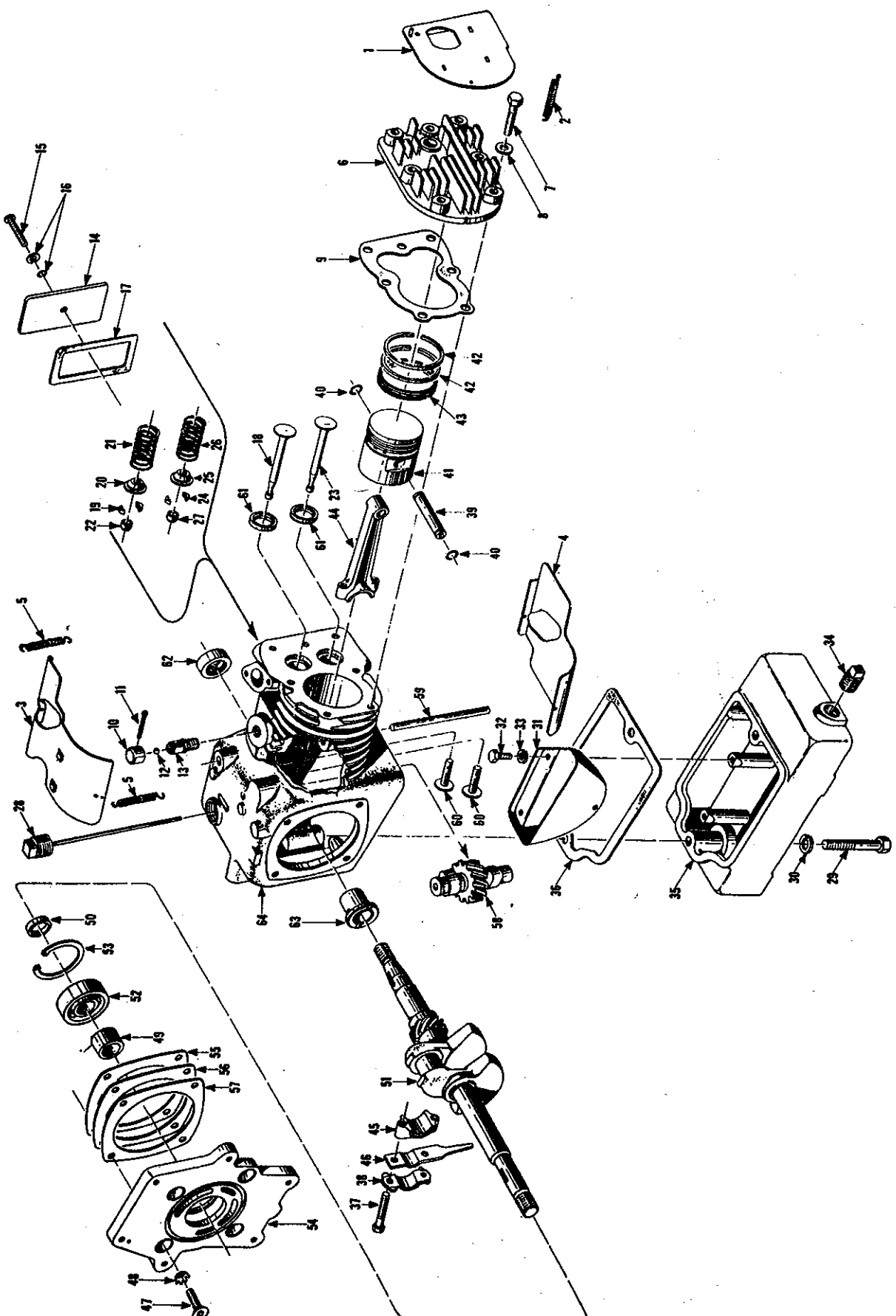


Figure 9. Cylinder and Crankcase Assembly Complete

Section II
Group Assembly Parts List

T. O. 35E7-2-3-4

Figure & Index No.	Part Number	Description						Units Per Assy	Usable On Code
		1	2	3	4	5	6		
9-41	AA7-A-407	.	.					1	AE
9-	AA7-A-407P010	.	.					AR	AE
9-	AA7-A-407P020	.	.					AR	AE
9-	AA8-A-407P030	.	.					AR	AE
9-	AA7-A-3060	.	.					1	AE
9-	AA7-A-3060P010	.	.					AR	AE
9-	AA7-A-3060P020	.	.					AR	AE
9-	AA7-A-3060P030	.	.					AR	AE
-42	AA7-A-300	.	.					2	AE
9-	AA7-A-300P010	.	.					AR	AE
9-	AA7-A-300P020	.	.					AR	AE
9-	AA7-A-300P030	.	.					AR	AE
-43	AA7-A-301	.	.					1	AE
9-	AA7-A-301P010	.	.					AR	AE
9-	AA7-A-301P020	.	.					AR	AE
9-	AA7-A-301P030	.	.					AR	AE
9-	AA7-D-402	.	.					1	AE
9-	AA7-D-3040	.	.					1	AE
9-	AA7-D-3040P010	.	.					AR	AE
9-	AA7-D-3040P020	.	.					AR	AE
9-	AA7-D-3040P030	.	.					AR	AE
-44	*No Number	.	.					NP	AE
-45	*No Number	.	.					NP	AE
-46	AA7-D-300	.	.					1	AE
9-	*No Number	.	.					NP	AE

* Indicates non-procurable part or assembly.

Section II
Group Assembly Parts List

T. O. 35E7-2-3-4

Figure & Index No.	Part Number	Description						Units Per Assy	Usable On Code
		1	2	3	4	5	6		
PRIME MOVER ASSEMBLY									
10-	88M28CW	MOTOR, ELECTRIC, 115/230 V, 60-cycle, AC, . . . single phase, 1-1/2 HP (Manufactured by 38151.) (OABT1262B) (See figure 5, item 55, for next higher assembly)						REF	B
-1	E-SA14139-1V	COVER ASSY (Manufactured by 38151.)						1	B
(ATTACHING PARTS)									
-2	AN515-8-3	SCREW						4	B
----*----									
-3	E-14380	PLATE, SWITCH INSTRUCTION (Manufactured by 38151.)						1	B
(ATTACHING PARTS)									
-4	COML	RIVET, TUBULAR, Flat HD, 1/8 x 5/32 IN., STL						2	B
----*----									
-5	A-C14375A-V	FAN (Manufactured by 38151.)						1	B
(ATTACHING PARTS)									
-6	COML	SCREW, SET, SCH, 10-32 x 3/8 IN. NF, STL, CAD PL						2	B
----*----									
-7	A-A14135A-U	BRACKET, REAR HOUSING (Manufactured . . . by 38151.)						1	B
(ATTACHING PARTS)									
-8	A-12155-11S	SCREW, STUD, RD HD, SLOT, 10-32 NF x 7-7/16 IN., STL, CAD PL (Manufactured by 38151.)						4	B
----*----									
-9	E-7661-20	SPRING, LOADING (Manufactured by 38151.) . .						1	B
-10	E-7652A-20	WASHER, PLAIN STL (Manufactured by 38151.)						1	B
-11	E-7651-20	WASHER, FELT (Manufactured by 38151.) . . .						1	B
-12	60149	SEAL, OIL (Manufactured by 79150.)						1	B
10-	*No Number	ROTOR ASSY, COMPLETE						NP	B
-13	87054 325	BEARING, BALL, Rear (Manufactured . . by 29337.)						1	B
-14	A-11651-1	SWITCH, CENTRIFUGAL (Manufactured . by 38151.)						1	B
10-	*E-1665-5	SPRING, CENTRIFUGAL SWITCH. . (Manufactured by 38151.)						NP	B
10-	*E-4394-3	WEIGHT, CENTRIFUGAL SWITCH . (Manufactured by 38151.)						NP	B
10-	*E-1418-1	HUB, CENTRIFUGAL SWITCH. (Manufactured by 38151.)						NP	B
10-	*A-3783-1	BASE, CENTRIFUGAL SWITCH (Manufactured by 38151.)						NP	B
10-	*E-1568-1	WASHER, CENTRIFUGAL SWITCH. (Manufactured by 38151.)						NP	B
-15	A-C62H30C-2	ROTOR ASSY (Manufactured by 38151.) . .						1	B
10-	E-A14367-1	TOGGLE SWITCH ASSY (Manufactured by 38151.)						1	B
(ATTACHING PARTS)									
-16	AN505-6-8	SCREW						4	B
----*----									
-17	AN3023-2	SWITCH						1	B

* Indicates non-procurable part or assembly.

Prime Mover Assembly

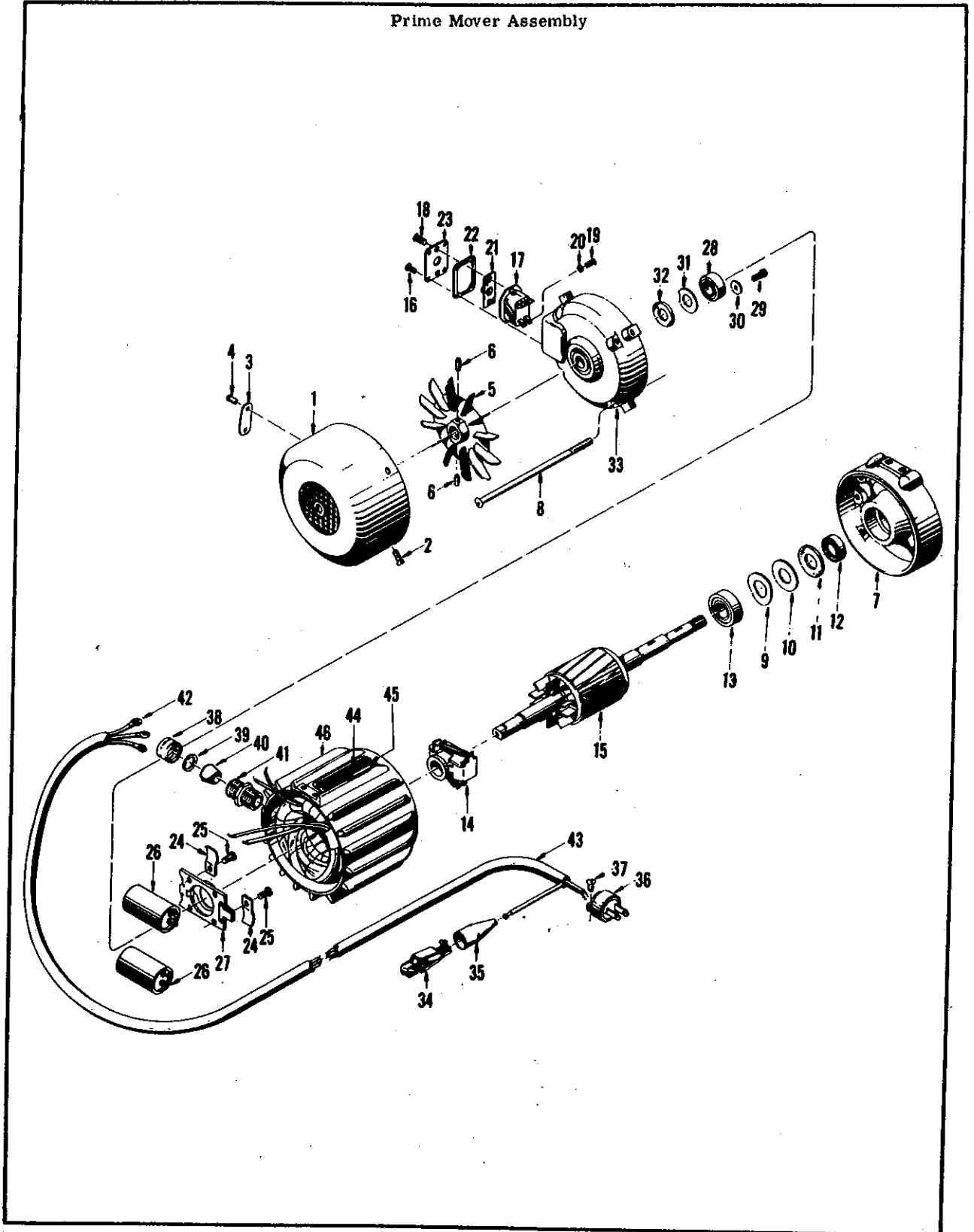


Figure 10. Single Phase Electric Motor

Section II
Group Assembly Parts List

T.O. 35E7-2-3-4

Figure & Index No.	Part Number	Description						Units Per Assy	Usable On Code
		1	2	3	4	5	6		
		(ATTACHING PARTS)							
10-18	AN505-6-8	.	.	SCREW		2	B	
				---*---					
-19	AN515-8-4	.	.	SCREW		4	B	
-20	AN935-8	.	.	WASHER		4	B	
-21	C-H8865K1	.	.	BOOT (Manufactured by 15605.)		1	B	
				(38151 part NO. E-14368-1)					
-22	E-14370-1	.	.	GASKET, TOGGLE SWITCH COVER		1	B	
				(Manufactured by 38151.)					
-23	E-14369A-U	.	.	COVER, TOGGLE SWITCH (Manufac-		1	B	
				tured by 38151.)					
-24	E-14157-A	.	.	CLAMP, CAPACITOR (Manufactured by		4	B	
				38151.)					
		(ATTACHING PARTS)							
-25	AN515-8-5	.	.	SCREW		4	B	
				---*---					
-26	A-A14365B-136	.	.	CAPACITOR, FIXED, Electrolytic, 124-149	..		2	B	
				UF, 110 V, 60-cycle AC (Manufactured					
				by 38151.)					
-27	A-S14143-1	.	.	SWITCH ASSY, STATIONARY (Manufactured	..		1	B	
				by 38151.)					
-28	87016	.	.	BEARING, BALL, Front (Manufactured by		1	B	
				29337.) (38151 part NO. E-7800A-16)					
		(ATTACHING PARTS)							
-29	AN515-8-4	.	.	SCREW		1	B	
-30	COML	.	.	WASHER, PLAIN, 3/4 OD x 0.283 IN. ID x	..		1	B	
				22 GA, STL, CAD PL					
				---*---					
-31	E-7652A-16	.	.	WASHER, PLAIN, STL (Manufactured by		AR	B	
				38151.)					
-32	E-7651-16	.	.	WASHER, FELT (Manufactured by 38151.)	...		1	B	
-33	A-SA14136A-1U	.	.	BRACKET ASSY, FRONT (Manufactured by	...		1	B	
				38151.)					
10-	E-A14146-1	.	.	CORD AND PLUG ASSY (Manufactured by		1	B	
				38151.)					
-34	48B	.	.	CLIP, BATTERY (Manufactured by		1	B	
				76545.)					
-35	49	.	.	INSULATOR, RUBBER (Manufactured	...		1	B	
				by 76545.)					
-36	7184	.	.	PLUG, CAP, Parallel blade (Manu-		1	B	
				factured by 74545.)					
-37	AN515-6-8	.	.	SCREW		2	B	
10-	CGB195	.	.	CONNECTOR ASSY (Manufactured by	...		1	B	
				15235.) (38151 part NO. E-14374-1)					
-38	4312-A	.	.	NUT, CONNECTOR (Manufactured	..		1	B	
				by 15235.)					
-39	65	.	.	WASHER, GLAND (Manufactured	..		1	B	
				by 15235.)					
-40	BUSH05	.	.	BUSHING, RUBBER (Manufac-		1	B	
				tured by 15235.)					
-41	4316-A	.	.	BODY, CONNECTOR (Manufac-		1	B	
				tured by 15235.)					
-42	COML	.	.	EYELET, TERMINAL, NO. 9 brass,	...		3	B	
				CAD PL (for NO. 10 screw)					
-43	COML	.	.	CABLE, ELECTRIC, 3-conductor,		1	B	
				12 GA stranded, arctic insulation,					
				belt type, 20 FT LG (Military					
				Specification MIL-C-5756)					
-44	A-14364	.	.	PLATE, NAME (Manufactured by 38151.)		1	B	
		(ATTACHING PARTS)							
-45	COML	.	.	PIN, DRIVE, 3/32 x 3/16 IN., STL, CAD PL	..		1	B	
				---*---					
-46	A-A13900-2	.	.	BODY ASSY, MOTOR (Manufactured by 38151.)			1	B	

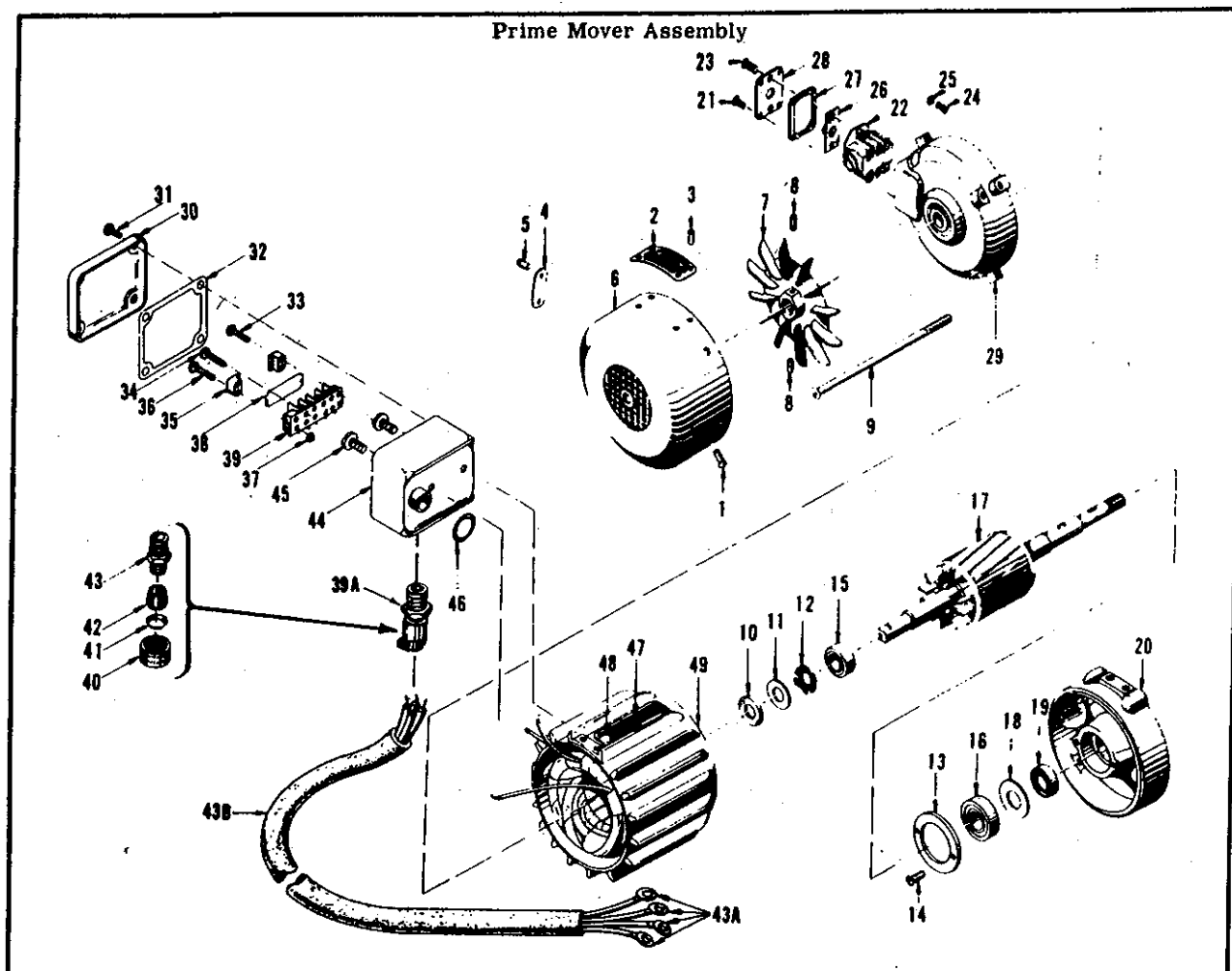


Figure 11. Three Phase Electric Motor

Figure & Index No.	Part Number	1	2	3	4	5	Description	Units Per Assy	Usable On Code
PRIME MOVER ASSEMBLY									
11-	101M55						MOTOR, ELECTRIC, 208-220 V, 60-cycle, AC, 3-phase 2 HP at 3450 RPM (Manufactured by 38151.) (PPBT-3160) (See figure 5, item 55, for next higher assembly)	REF	CD
11-	E-SA14139A-2V						COVER ASSY (Manufactured by 38151.)	1	CD
							(ATTACHING PARTS)		
-1	AN515-8-5						SCREW	4	CD
-2	E-14489						PLATE, CAUTION (Manufactured by 38151.)	1	CD
							(ATTACHING PARTS)		
-3	E-1748-1						RIVET (Manufactured by 38151.)	4	CD
-4	E-14380						PLATE, TOGGLE SWITCH INSTRUC- TION/(Manufactured by 38151.)	1	CD

Change 7 - 7 December 1965

Figure & Index No.	Part Number	Description						Units Per Assy	Usable On Code
		1	2	3	4	5	6		
						(ATTACHING PARTS)			
11-5	E-1748-1	.	.			RIVET (Manufactured by 38151.)	2	CD	
						----*----			
-6	E-14369A-U	.	.			COVER (Manufactured by 38151.)	1	CD	
-7	A-C14375A-V	.	.			FAN (Manufactured by 38151.)	1	CD	
						(ATTACHING PARTS)			
-8	E-7585-37S	.	.			SCREW, SET, SCH, Cone PT, 10-32 x 3/8 IN., STL, CAD PL (Manufactured by 38151.)	2	CD	
						----*----			
11-	No Number	.	.			BRACKET AND ROTOR ASSY	1	CD	
						(ATTACHING PARTS)			
-9	A-12155-12S	.	.			SCREW, STUD, RD HD, SLOT., 10-32 x 7-15/16 IN., STL, CAD PL (Manu- factured by 38151.)	4	CD	
						----*----			
-10	E-7651-16	.	.			WASHER, FELT	1	CD	
-11	E7652A-16	.	.			WASHER, PLAIN STL (Manufactured . . . by 38151.)	1	CD	
-12	E-7661-16	.	.			SPRING, LOADING (Manufactured by . . . 38151.)	1	CD	
-13	55767A-1	.	.			LOCK, BEARING (Manufactured by 38151.)	1	CD	
						(ATTACHING PARTS)			
-14	AN515-10-10	.	.			SCREW	2	CD	
						----*----			
-15	87016	.	.			BEARING, BALL, Front (Manufactured . . by 29337.)	1	CD	
-16	87504	.	.			BEARING, BALL, Rear (Manufactured . . by 29337.)	1	CD	
-17	A-C62H30AG-2	.	.			ROTOR ASSY (Manufactured by 38151.) . .	1	CD	
-18	E-7652-A20	.	.			WASHER, BEARING SPACER (Manu- . . . factured by 38151.)	AR	CD	
-19	60149C	.	.			SEAL, OIL (Manufactured by 79150.) . . .	1	CD	
-20	A-A14735A-U	.	.			BRACKET, REAR (Manufactured by 38151.)	1	CD	
11-	E-A15286-1	.	.			TOGGLE SWITCH ASSY (Manufactured by 38151.)	1	CD	
						(ATTACHING PARTS)			
-21	AN505-6-6	.	.			SCREW	4	CD	
						----*----			
-22	AN3226-2	.	.			SWITCH, TOGGLE	1	CD	
						(ATTACHING PARTS)			
-23	AN505-6-6	.	.			SCREW	2	CD	
						----*----			
-24	AN515-6-4	.	.			SCREW	6	CD	
-25	AN936B6	.	.			WASHER	1	CD	
-26	C-H-8865K1	.	.			BOOT (Manufactured by 15605.) (38151 part NO. E-14368-1)	1	CD	
-27	E-14370-1	.	.			GASKET, TOGGLE SWITCH COVER (Manufactured by 38151.)	1	CD	
-28	E-14368A-U	.	.			COVER, TOGGLE SWITCH (Manufac- tured by 38151.)	1	CD	
-29	A-A04036B-U	.	.			BRACKET, FRONT (Manufactured by 38151.) . .	1	CD	
-30	A-15323A-7	.	.			COVER, CONDUIT BOX (Manufactured by 38151.)	1	CD	
						(ATTACHING PARTS)			
-31	AN515-8-8	.	.			SCREW	4	CD	
						----*----			

Figure & Index No.	Part Number	1	2	3	4	5	6	Description	Units Per Assy	Usable On Code
ENGINE AND SHELTER HEATER										
12-	TEA761							MAGNETO ASSY, COMBUSTOR IGNITION altered from part NO. FM-XYEB88F, (Manufactured by 21387.) (See figure 2, item 16, for next higher assembly)	REF	
-1	64D24252							ARM, MAGNETO, Drive or driven (TM3946) (Formerly TM727) (ATTACHING PARTS)	1	
-2	MS171591							ROLLPIN ----*----	1	
12-	FM-XYE1B88F							MAGNETO, COMBUSTOR IGNITION (Manufactured by 21387.) (TE1012C)	1	
-3	Y2474X							CABLE OUTLET, END CAP (Manufactured by 21387.)	1	
-3A	Deleted									
-4	PX2430A							CAP ASSY, END (Manufactured by 21387.)	1	
-5	COML							(ATTACHING PARTS) SCREW AND LOCKWASHER ASSY, MACH, FIL HD, 10-24 x 5/8 IN., STL, CAD PL ----*----	4	
-6	K2498							GASKET, END CAP LEAD (Manu- factured by 21387.)	1	
-7	AXMR2433							CAPACITOR (Manufactured by 21387.)	1	
-8	COML							(ATTACHING PARTS) SCREW AND LOCKWASHER ASSY, MACH, RD HD, 8-32 x 1/4 IN., STL, CAD PL	1	
-9	AN515-6-5							SCREW	1	
-10	AN935-6							WASHER ----*----	1	
-11	G2788							CAM WICK AND HOLDER ASSY (Manufactured by 21387.)	1	
-12	AN515-8-6							(ATTACHING PARTS) SCREW	1	
-13	AN935-8							WASHER	1	
-14	AN960-8							WASHER ----*----	1	
12-	A2437A							CONTACT ASSY, BREAKER ARM (Manufactured by 21387.)	1	
-15	AN515-6-6							(ATTACHING PARTS) SCREW	1	
-16	AN935-6							WASHER	1	
-17	AN960-6							WASHER	1	
-18	T1498G							SPRING, SNAP (Manufactured by 21387.) ----*----	1	
-19	*No Number							BREAKER ARM ASSY (Manu- factured by 21387.)	NP	
-20	*J2454							BRACKET ASSY, STATIONARY SUPPORT (Manufactured by 21387.)	NP	
-21	KX4631							SUPPORT ASSY, ROTOR BEARING (Manufactured by 21387.)	1	

* Indicates non-procurable part or assembly.

Figure & Index No.	Part Number	1	2	3	4	5	6	Description	Units Per Assy	Usable On Code
								(ATTACHING PARTS)		
12-22	AN505C8-6	.	.					SCREW	4	
								-----*		
-23	A2492A	.	.					WASHER, FLAT, Outer (Manufactured by 21387.)	1	
-24	G3861	.	.					SEAL, BEARING, Drive end (Manufactured by 21387.)	1	
-25	C2492	.	.					WASHER, FLAT, Inner (Manufactured by 21387.)	1	
-26	B6340	.	.					WASHER, FELT (Manufactured by 21387.)	1	
12-	E-13	.	.					BEARING, BALL (Manufactured by 43991.) (21387 part NO. C5949A)	1	
-27	*No Number	.	.					RACE, BEARING, Outer	NP	
-28	*No Number	.	.					BALL ASSY	NP	
-29	*No Number	.	.					RACE, BEARING	NP	
-30	E-6304A	.	.					SEAL, OIL, Bearing, cork (Manufactured by 21387.)	1	
12-	E-15B	.	.					BEARING, BALL (Manufactured by 43991.) (21387 part NO. B5949)	1	
-31	*No Number	.	.					RACE, BEARING, Outer	NP	
-32	*No Number	.	.					BALL ASSY	NP	
-33	*No Number	.	.					RACE, BEARING, Inner	NP	
-34	COML	.	.					WASHER, FLAT, 25/32 OD, 0.591 ID, 0.006 IN. THK, copper	1	
-35	A6304	.	.					SEAL, OIL, Bearing, cork (Manufactured by 21387.)	1	
-36	BV2480	.	.					ROTOR ASSY, MAGNETIC (Manufactured by 21387.)	1	
-37	T2477C	.	.					COIL ASSY (Manufactured by 21387.)	1	
								(ATTACHING PARTS)		
-38	AN565A416-12	.	.					SCREW	2	
-39	MZ2425	.	.					FRAME ASSY (Manufactured by 21387.)	1	

* Indicates non-procurable part or assembly.

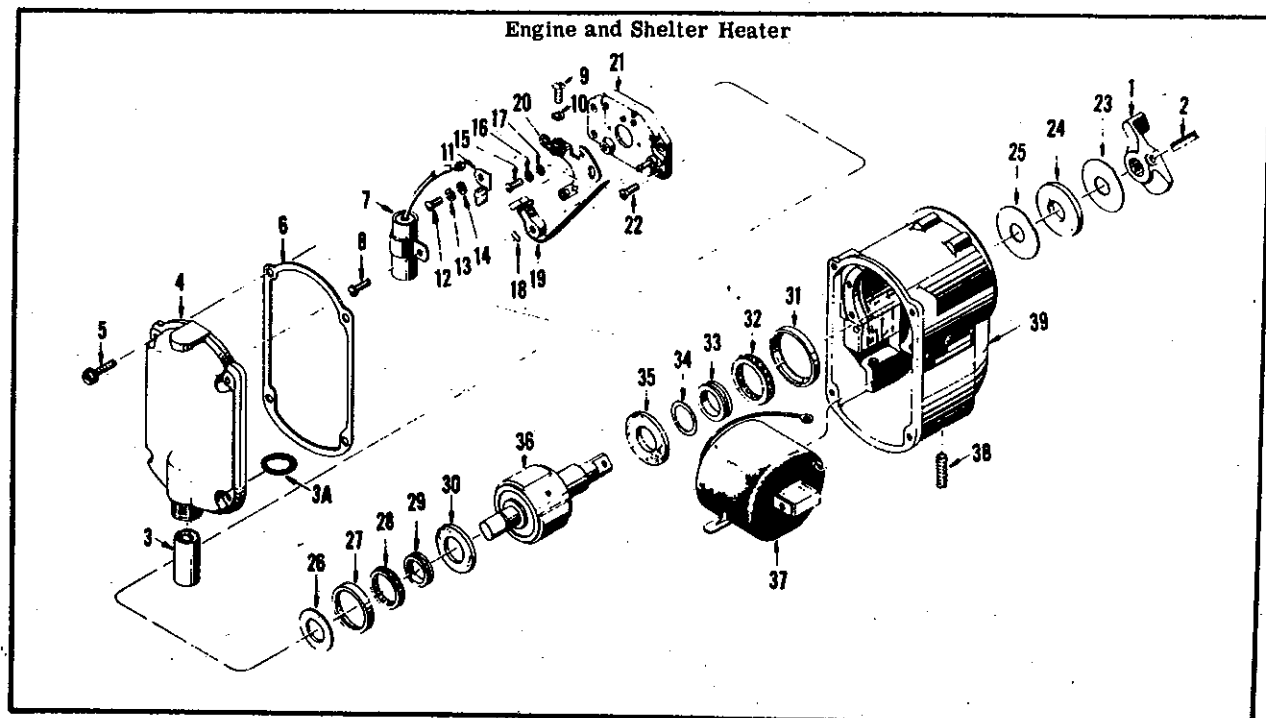


Figure 12. Combustor Ignition Magneto Assembly.

Figure & Index No.	Part Number	Description						Units Per Assy	Usable On Code
		1	2	3	4	5	6		
ENGINE AND SHELTER HEATER.									
13-	TOA431	PUMP ASSY, FUEL (Superseded by TOA443) (See figure 2, item 21, for next higher assembly)						REF	
13-	TOA443	PUMP ASSY, FUEL (Supersedes TOA431) (See figure 2, item 21, for next higher assembly)						REF	
-1	64D24252	ARM, PUMP, Drive or driven (TM3946) (Formerly TM728) (ATTACHING PARTS)						1	
-2	MS171591	ROLLPIN ----*----						1	
13-	J5BC-302-2	UNIT ASSY, FUEL (Manufactured by 99166.) . . (TO541E) (Superseded by J5BC-304-2)						1	
13-	J5BC-304-2	UNIT ASSY, FUEL (Manufactured by 99166.) . . (TO692) (Superseded J5BC-30202)						1	
13-	117417	COVER ASSY, FUEL UNIT (Manu- factured by 99166.) (ATTACHING PARTS)						1	
-3	111401	SCREW (Manufactured by 99166.) ----*----						8	
-4	117463	COVER (Manufactured by 99166.) . .						1	
-5	110441***	GASKET, COVER (Manufactured by . . . 99166.)						1	
-6	111302A	STRAINER (Manufactured by 99166.)						1	
13-	#116197	PLATE ASSY, END (Manufactured by . . . 99166.) (Superseded by 121917)						1	
13-	#121917	PLATE ASSY, END (Manufactured by . . . 99166.) (Supersedes 116197) (ATTACHING PARTS)						1	
-7	101961	SCREW, FIL HD (Manufactured by 99166.) ----*----						5	
-8	121951	KEY, DRIVE (Manufactured by 99166.)						1	
13-	121927	HOUSING ASSY, ROTOR (Manu- . . . factured by 99166.)						1	
-9	*121942	ROLLER (Manufactured by 99166.)						NP	
-10	*121932	ROTOR (Manufactured by 99166.)						NP	
-11	*104511A	HOUSING, ROTOR (Manu- factured by 99166.)						NP	
-12	*120051	CRESCENT (Manufactured by 99166.)						NP	
-13	100671	PIN, DOWEL (Manufactured by 99166.)						2	
-14	119992A	PLATE, END (Manufactured by 99166.)						1	
-15	117424A	HOUSING, PORT (Manufactured by 99166.)						1	
-16	116051 ***	GASKET, PORT HOUSING (Manufactured . by 99166.)						1	
-17	110272 ***	GASKET, STRAINER (Manufactured by 99166.)						1	

* Indicates non-procurable part or assembly.

Only the new assembly is broken down. When either the old end plate assembly or shaft assembly requires replacement, the superseding parts should be ordered. Since these are mating assemblies, both end plate assembly 121917 and shaft assembly 121967A should be ordered. This change will convert the fuel unit assembly to J5BC-304-2.

*** Indicates components of kit, PN KS30.

Engine and Shelter Heater

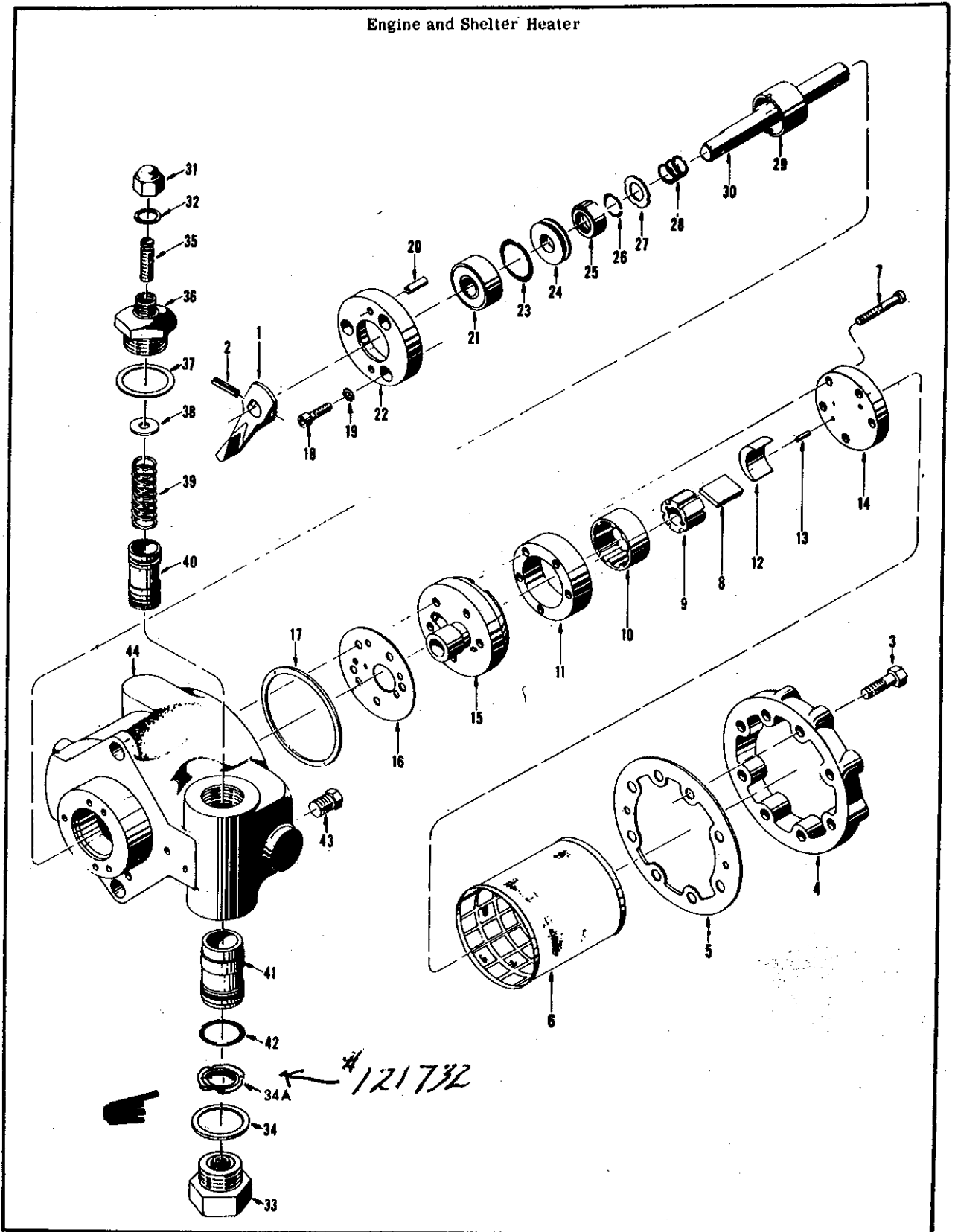


Figure 13. Fuel Pump Assembly

Change 8 - 3 June 1966

Figure & Index No.	Part Number	Description						Units Per Assy	Usable On Code
		1	2	3	4	5	6		
13-	*No Number	.	.					NP	
-18	COML	.	.					3	
-19	AN936A10	.	.					3	
-20	COML	.	.					2	
-21	1615SS**	.	.					1	
-22	*118732	.	.					NP	
13-	*No Number	.	.					NP	
-23	123652***	.	.					1	
-24	115462	.	.					1	
-25	127562**	.	.					1	
-26	3627-9-03-70***	.	.					1	
13-	#117437A	.	.					1	
13-	#121967A	.	.					1	
-27	115421	.	.					1	
-28	115431	.	.					1	
-29	115452	.	.					1	
-30	11742	.	.					1	
-31	100241	.	.					1	
-32	100371***	.	.					1	
-33	117447A	.	.					1	
-34	100901***	.	.					1	
-34A	121732**	.	.						
13-	103379A**	.	.					1	
-35	101001**	.	.					1	
-36	103361A	.	.					1	
-37	100901***	.	.					1	
-38	100931**	.	.					1	
-39	101641**	.	.					1	
-40	116106A**	.	.					1	
-41	121222A**	.	.					1	
-42	28778***	.	.					1	
-43	COML	.	.					1	
-44	*117404	.	.					NP	

* Indicates non-procurable part or assembly.

Only the new assembly is broken down. When either the old end plate assembly or shaft assembly requires replacement, order the superseding parts. Since these are mating assemblies, order both end plate assembly 121917 and shaft assembly 121967A. This change converts fuel unit assembly to J5BC-304-2.

** Indicates components of parts kit PN KS20.

*** Indicates components of kit PN KS30.

Change 8 - 3 June 1966

Figure & Index No.	Part Number	Description						Units Per Assy	Usable On Code
		1	2	3	4	5	6		
13-	MS29513-11	.					PACKING, "O" RING (See figure 2, item 24) . . . (TO638G)	2	
13-	MS29513-12	.					PACKING, "O" RING (See figure 2, item 25) . . . (TO639)	1	
	KS20	.					PARTS KIT, Field	AR	
	KS30	.					PARTS KIT, Gasket	AR	

ENGINE AND SHELTER HEATER

14-	TOA432A	.					CONTROL ASSY, FUEL (Superseded by TOA442) (See figure 2, item 63, for next higher assembly)	REF	AB
14-	TOA442	.					CONTROL ASSY, FUEL (Supersedes TOA432A) (See figure 2, item 63, for next higher assembly)	REF	CDE
-1	TO587C	.					KNOB, CONTROL, Combustor fuel valve (ATTACHING PARTS)	1	
-2	COML	.					SCREW, SET, SCH, cup PT, 1/4-20 NC-2 x 1/4 IN., STL, CAD PL (TO653A)	1	
-3	TO574C	.					HANDWHEEL, TEMPERATURE SELECTOR VALVE	1	
-4	TO586E	.					KNOB, INDICATOR, Altitude compensator . . .	1	
-5	TO586E	.					KNOB, INDICATOR, Temperature selector . . . (ATTACHING PARTS)	1	
-6	COML	.					SCREW, SET, SCH, cup PT, 1/4-20 NC-2 x 1/4 IN., STL, CAD PL (TO653A)	3	
-7	TO573E	.					PLATE, NAME, Heater control (ATTACHING PARTS)	1	
-8	AN515-10-5	.					SCREW	8	
-9	TO632	.					GASKET, PRIMER, 5/8 ID, 1 OD x 0.062 IN. THK	1	
-10	TO633	.					GASKET, COMBUSTOR FUEL VALVE, 0.240 ID, 1 OD, 0.062 IN. THK	1	
-11	TO634	.					GASKET, STEM, 0.240 ID, 1/2 OD, 0.062 IN. THK	3	
14-	TOA433	.					COVER ASSY, FUEL CONTROL (ATTACHING PARTS)	1	
-12	COML	.					SCREW, CAP, HEX HD, 1/4-20 NC x 3/4 IN., STL, CAD PL (7HH1054)	4	
-13	AN936A416	.					WASHER	4	
-14	COML	.					PIN, DRIVE, LK, 3/32 DIA x 3/8 IN., LG, SAE 1112 cold drawn STL, CAD PL (TO646A)	2	
-15	TO570D	.					COVER, FUEL CONTROL ASSY	1	
-16	MS29513-227	.					PACKING, "O" RING	1	
14-	27	.					TAPE, FIBERGLASS, NO. 00 roll, 3/4 IN. wide (Manufactured by 76381.)	AR	
-17	TO575C	.					COVER, CAPILLARY TUBE (ATTACHING PARTS)	1	
-18	COML	.					SCREW, CAP, SCH, 1/4-20 x 3/4 IN. (TM616)	2	
-19	AN936A416	.					WASHER	2	
-20	TO613	.					SEAL, CAPILLARY	3	

† Where either a valve or the temperature gauge used on TOA432A requires replacement in the field, replace with the parts originally supplied with this unit, as indicated by the Usable On Code. However, if this is a depot replacement, or more than one of these parts must be replaced, it is recommended that conversion be made to the new fuel control assembly, TOA442, by ordering parts indicated for this assembly. This conversion will also require the later type support assembly, TAF206 (see figure 3; index NO. 25).

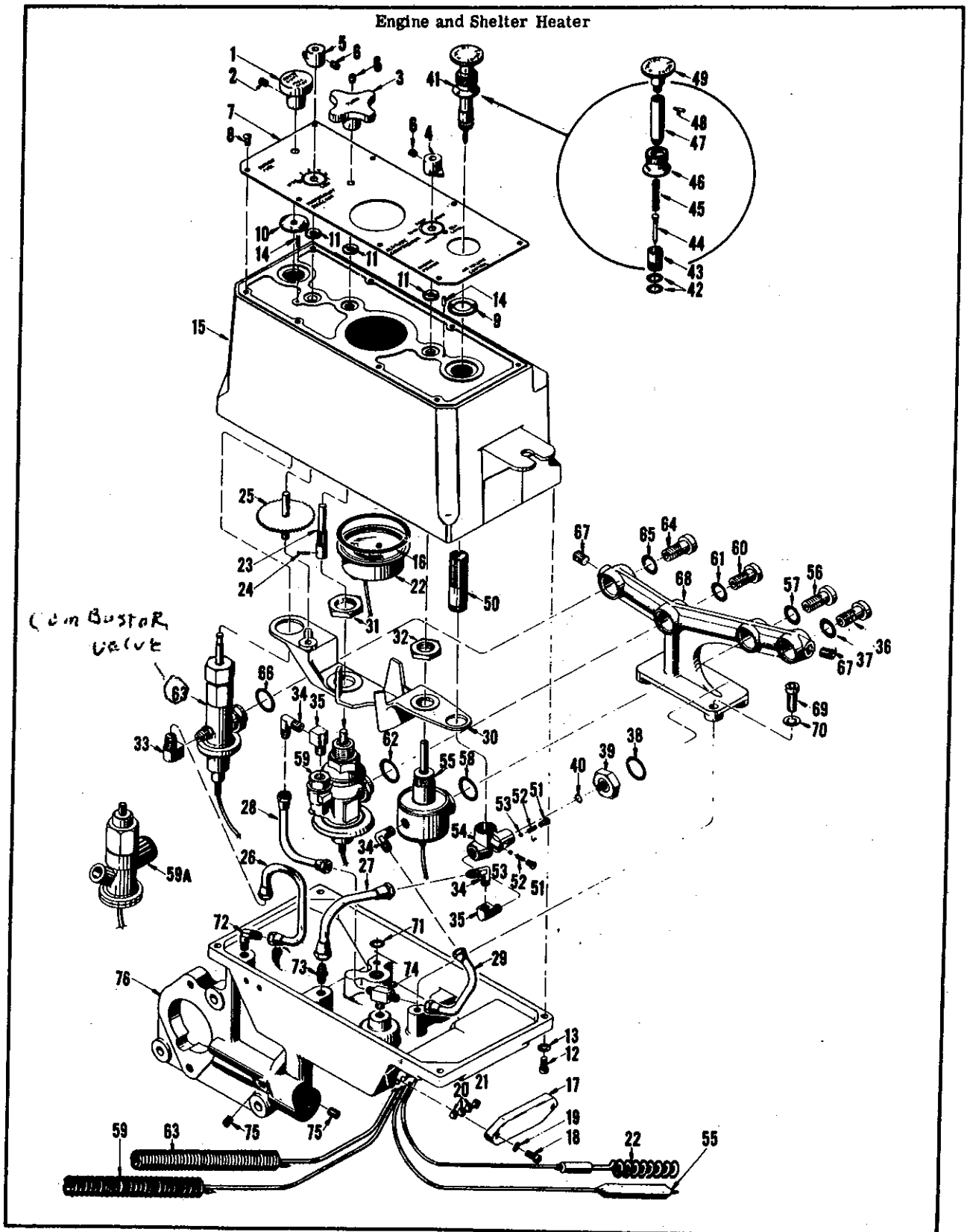
Section II
Group Assembly Parts List

T. O. 35E7-2-3-4

Figure & Index No.	Part Number	Description						Units Per Assy	Usable On Code
		1	2	3	4	5	6		
-21	TO612	.					SEAL, CAPILLARY, Temperature gauge	1	
-22	IT2890-20	.					GAUGE, TEMPERATURE, Discharge (Manu- factured by 19728.) (TO572C) (Superseded by PN IT2890-22)	1	AB
14-22	IT2890-22	.					GAUGE, TEMPERATURE, Discharge (Manu- factured by 19728.) (TO696)	1	CDE
-23	TO540A	.					STEM, TEMPERATURE SELECTOR (ATTACHING PARTS)	1	
-24	MS171494	.					ROLLPIN	1	
-25	TOF64C	.					GEAR, TEMPERATURE SELECTOR	1	
-26	TOF60A	.					TUBE ASSY, VALVE, Combustor fuel	1	
-27	TOF63D	.					TUBE ASSY, ENGINE PRIMER	1	
-28	TOF61D	.					TUBE ASSY, VALVE, Temperature selector . . (Superseded by PN TOF83)	1	AB
-28	TOF83	.					TUBE ASSY, VALVE, Temperature selector . .	1	CDE
-29	TOF62B	.					TUBE ASSY, VALVE, Altitude compensator . .	1	
-30	TO529F	.					BRACKET, CONTROL (ATTACHING PARTS)	1	
-31	RL3416	.					NUT, STAMPED (Manufactured by 77122.) (TO539A)	1	
-32	58R18	.					NUT, HEX (Manufactured by 77122.) (TO547A). ----*----	1	
-33	COML	.					ELBOW, 90° (CAT NO. 101-45034, manu- factured by 79470.) (TO538A)	1	
-34	COML	.					ELBOW, 90°, 1/8 male NPT x 1/4 SAE 45° . . . flare, brass, CAD PL (CAT NO. 49F, manufactured by 30327.) (TO584A)	3	
-35	COML	.					ELBOW, STREET, 90°, 1/8 NPT, brass, . . . CAD PL (CAT NO. 3400X2, manufac- tured by 78470.) (TX1098)	2	
14-	K2404-1/8-1	.					PRIMER, ENGINE (Manufactured by 34199.) . . (TO533A) (ATTACHING PARTS)	1	
-36	TO542	.					BOLT, CONTROL MOUNTING	1	
-37	MS29513-112	.					PACKING, "O" RING	1	
-38	MS29513-116	.					PACKING, "O" RING	1	
-39	TO546D	.					ADAPTER, ENGINE PRIMER	1	
-40	MS29513-11	.					PACKING, "O" RING ----*----	1	
-41	*No Number	.					PLUNGER ASSY	NP	
-42	MS29513-11	.					PACKING, "O" RING	2	
-43	A-565	.					NUT, SEALING SPRING RETAINER (Manufactured by 34199.)	1	
-44	A-570	.					PIN, SEALING (Manufactured by 34199.)	1	
-45	A-573	.					SPRING, SEALING PIN (Manu- factured by 34199.)	1	
-46	A-564	.					NUT, PISTON LOCK (Manufac- tured by 34199.)	1	
14-	A-630	.					KNOB AND PISTON ROD ASSY (Manufactured by 34199.)	1	
-47	A-627	.					ROD, PISTON (Manu- factured by 34199.) (ATTACHING PARTS)	1	
-48	A-571	.					PIN, STOP (Manufactured . . by 34199.) ----*----	1	
-49	A-1545	.					KNOB, PISTON ROD (Manu- . . factured by 34199.)	1	
-50	A-562	.					BARREL (Manufactured by 34199.)	1	
-51	A-563	.					RETAINER, SPRING (Manufactured by 34199.)	1	

* Indicates non-procurable part or assembly.

Changed 10 June 1964



Section II
Group Assembly Parts List

T. O. 35E7-2-3-4

Figure & Index No.	Part Number	1	2	3	4	5	Description	6	Units Per Assy	Usable On Code
14-52	A-4099	.	.				SPRING, CHECK BALL (Manufactured . . . by 34199.)		2	
-53	A-574A	.	.				BALL, CHECK (Manufactured by 34199.)		2	
-54	A-2894	.	.				BODY, PRIMER (Manufactured by 34199.)		1	
-55	TO532C	.					VALVE, ALTITUDE COMPENSATOR		1	
							(ATTACHING PARTS)			
-56	TO542	.					BOLT, CONTROL MOUNTING		1	
							-----*			
-57	MS29513-112	.					PACKING, "O" RING		1	
-58	MS29513-116	.					PACKING, "O" RING		1	
-59	TO531B	.					VALVE, TEMPERATURE SELECTOR (Superseded by PN TO693)		1	AB
-59A	TO693	.					VALVE, TEMPERATURE SELECTOR		1	CDE
							(ATTACHING PARTS)			
-60	TO542	.					BOLT, CONTROL MOUNTING		1	
							-----*			
-61	MS29513-112	.					PACKING, "O" RING		1	
-62	MS29513-116	.					PACKING, "O" RING		1	
-63	TO530D	.					VALVE, COMBUSTOR FUEL (Superseded by PN TO695)		1	AB
-63	TO695	.					VALVE, COMBUSTOR FUEL		1	CDE
							(ATTACHING PARTS)			
-64	TO542	.					BOLT, CONTROL MOUNTING		1	
							-----*			
-65	MS29513-112	.					PACKING, "O" RING		1	
-66	MS29513-116	.					PACKING, "O" RING		1	
-67	COML	.					PLUG, PIPE, SCH, 1/8 NPT, STL, CAD PL (TO545B)		2	
-68	TO568C	.					MANIFOLD, HEATER CONTROL		1	
							(ATTACHING PARTS)			
-69	COML	.					SCREW, CAP, SCH, 5/16-18 x 3/4 IN., STL, CAD PL (TO576)		2	
-70	AN936A516	.					WASHER		2	
							-----*			
-71	MS29513-12	.					PACKING, "O" RING		1	
-72	COML	.					ELBOW, 90°, 1/8 male NPT x 1/4 SAE 45° flare, brass, CAD PL (CAT NO. 49F, manufactured by 30327.) (TO584A)		1	
-73	COML	.					UNION, HALF, 1/8 NPT x 1/4 SAE 45° flare, . brass, CAD PL (CAT NO. 48X4, manu- factured by 79470.) (TO592A)		1	
-74	COML	.					TEE, 1/4 flare x 1/4 flare x 1/8 NPT, brass, . CAD PL (CAT NO. 001-60054, manu- factured by 79470.) (TO630)		1	
-75	COML	.					PLUG, PIPE, SCH, 1/8 NPT, STL, CAD PL . . (TO545B)		2	
-76	TO569D	.					BASE, FUEL CONTROL ASSY		1	

Changed 11 March 1963

Figure & Index No.	Part Number	1	2	3	4	5	Description	6	Units Per Assy	Usable On Code
ENGINE AND SHELTER HEATER										
15-	TTA258A						TANK ASSY, FUEL, Complete (See figure 2, item . . . 103 for next higher assembly)		REF	
-1	TT329						CHAIN, FUEL FILL CAP		1	
-2	2738						RING, KEY (Manufactured by 25828.) (TT324)		2	
-3	334						SNAP, SWIVEL EYE (Manufactured by 76786.)		1	
-3A	TTF31E						TUBE, FUEL FILL		1	
							(ATTACHING PARTS)			
-3B	AN520C10R8						SCREW		12	
-3C	AN936A10						WASHER		12	
							----*----			
-3D	TT3008						GASKET, FUEL FILL TUBE, Upper (See Note 1)		1	
-3E	TT3009						RING, FUEL FILL TUBE (See Note 1)		1	
-4	TT315						GASKET, FUEL FILL TUBE, Lower		AR	
15-	*No Number						GAUGE AND TUBE ASSY, FUEL		NP	
							(ATTACHING PARTS)			
-5	AN520C10-8						SCREW		8	
-6	AN936A10						WASHER		8	
							----*----			
-7	3200-C41						GAUGE, FUEL LEVEL (Manufactured by 51240.) (TT341B)		1	
							(ATTACHING PARTS)			
-8	COML						SCREW, MACH. SLOT. FIL HD, 1/4-20 x 1 IN., STL, CAD PL		4	
-9	AN340-416						NUT		4	
-10	AN936A416						WASHER		4	
							----*----			
-11	TT3007						GASKET, FUEL GAUGE		1	
-12	TTF33A						TUBE, FUEL GAGE		1	
-13	TT334						GASKET, FUEL GAUGE TUBE		AR	
-14	TTF28						HANDLE ASSY, LIFTING		2	
							(ATTACHING PARTS)			
-15	60-6-10						BOLT		4	
-16	79E-064						NUT, ELASTIC STOP (Manufactured by 72962.) (TT331)		4	
							----*----			
-17	TT322						PIN, HANDLE CATCH		4	
							(ATTACHING PARTS)			
-18	MS171496						ROLLPIN		4	
							----*----			
-19	TT323						SPRING, HANDLE CATCH		4	
-20	TT325						CHAIN, HANDLE CATCH, 15-1/4 IN. LG		2	
-21	TTF29A						BRACKET ASSY, HANDLE, LH		2	
							(ATTACHING PARTS)			
-22	65-5-6						BOLT		6	
-23	AN936A516						WASHER		6	
							----*----			
-24	TTF30A						BRACKET ASSY, HANDLE, RH		2	
							(ATTACHING PARTS)			
-25	65-5-6						BOLT		6	

Note 1: For all heaters prior to serial NO. 848824, replacement of gasket TT3008 will require replacement of ring TT3009.

* Indicates non-procurable part or assembly.

Engine and Shelter Heater

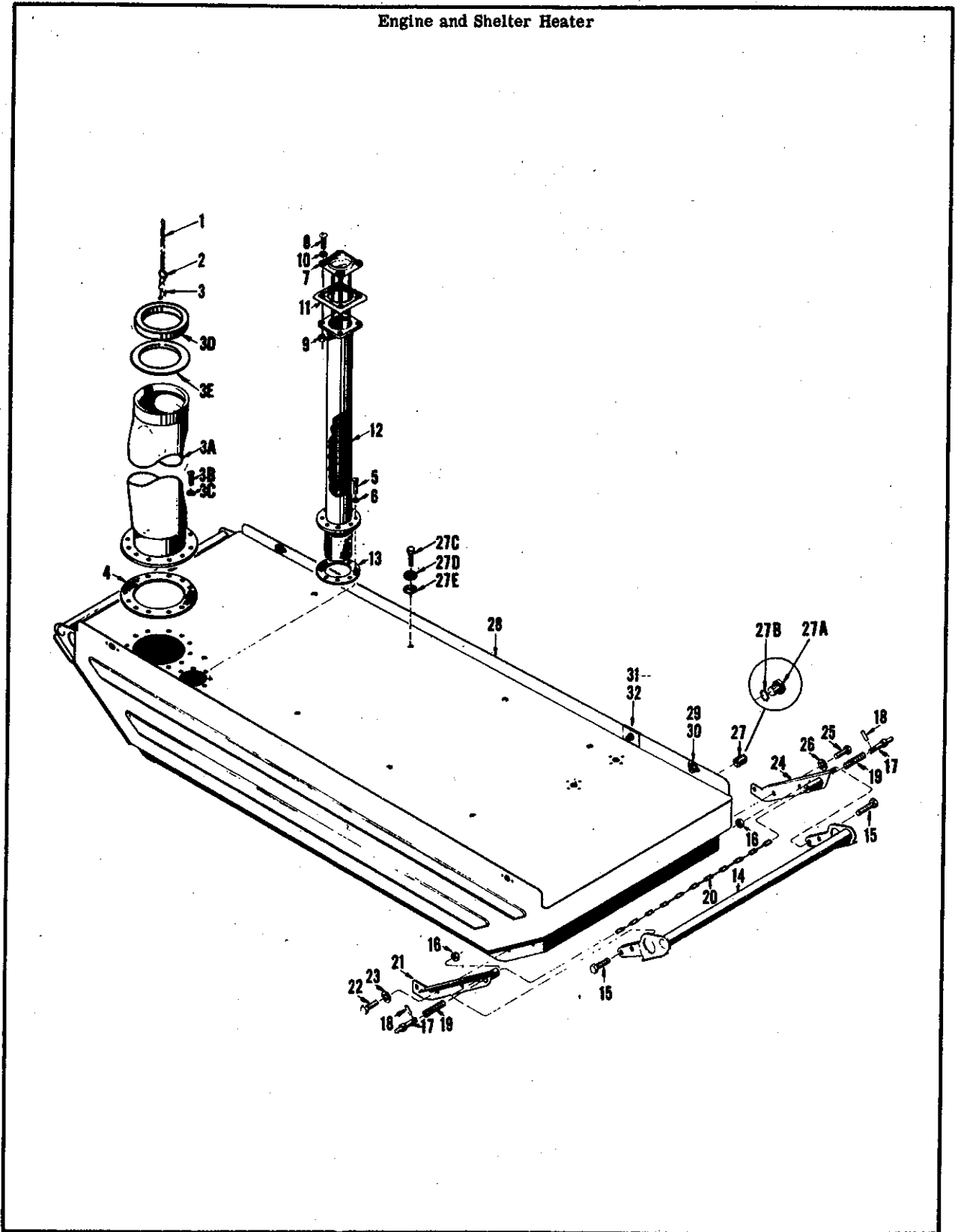


Figure 15. Fuel Tank Assembly Complete

Section II
Group Assembly Parts List

T.O. 35E7-2-3-4

Figure & Index No.	Part Number	Description						Units Per Assy	Usable On Code
		1	2	3	4	5	6		
TRAILER ASSEMBLY									
16-	BBT102	TRAILER ASSY						1	
16-	TXF77	. PIN ASSY, TOW						1	
-1	8144131	. . PIN, LOCK (Manufactured by 00000) (TX657)						1	
-2	AN380-4-3	. . PIN, COTTER						1	
-3	TX519	. . PIN, TOW						1	
(ATTACHING PARTS)									
16-	52-022-094-0750	. . ROLLPIN (Manufactured by 72962.) (TX658)						1	
----*----									
-4	TX511	. . CHAIN, SASH, 13 IN. LG						1	
-5	TX512	. BELT, TIEDOWN						4	
-6	TX485	. SUPPORT, 6 IN. DUCT						3	
(ATTACHING PARTS)									
-7	COML	. SCREW, HEX HD CAP, 5/16-18 x 1-1/2 IN., STL, CAD PL						3	
-8	22U-058	. NUT, STOP (Manufactured by 72962.) (TX665)						3	
----*----									
-9	TXF76	. BASKET ASSY, DUCT						1	
(ATTACHING PARTS)									
-10	COML	. SCREW, HEX HD CAP, 5/16-18 x 1-1/2 IN., STL, CAD PL						4	
-11	22U-058	. NUT, STOP (Manufactured by 72962.) (TX665)						4	
----*----									
-12	TR750	. BAR ASSY, TOW (This item supersedes PN TXF75.)						1	
(ATTACHING PARTS)									
-13	AN380-3-4	. PIN, COTTER						2	
-14	TX508	. BOLT, TOW BAR PIVOT						2	
-15	COML	. NUT, HEX, SLOT, 3/8-24, STL, CAD PL ..						2	
----*----									
-16	52-048-250-2500	. ROLLPIN (Manufactured by 72962.) (TX494)						2	
-17	5000-75-MF	. RING, RETAINING (Manufactured by 79136.) (TX493)						2	
-18	TX492	. WASHER, PLAIN						2	
-19	TX491	. SPRING, LOCKING BOLT						2	
-20	TX495	. BOLT, LOCKING						2	
-21	TXF74	. HANDLE ASSY						2	
(ATTACHING PARTS)									
-22	COML	. SCREW, HEX HD CAP, 5/16-18 x 1-1/2 IN., STL, CAD PL						2	
-23	22U-058	. NUT, STOP (Manufactured by 72962.) (TX665)						2	
----*----									
-24	TX516	. WHEEL ASSY						2	
(ATTACHING PARTS)									
-25	COML	. PIN, COTTER, 3/16 x 1-1/4 IN., STL, CAD PL (TX517)						3	
----*----									
16-	No Number	. TIRE AND RIM ASSY						1	

Changed 10 June 1964

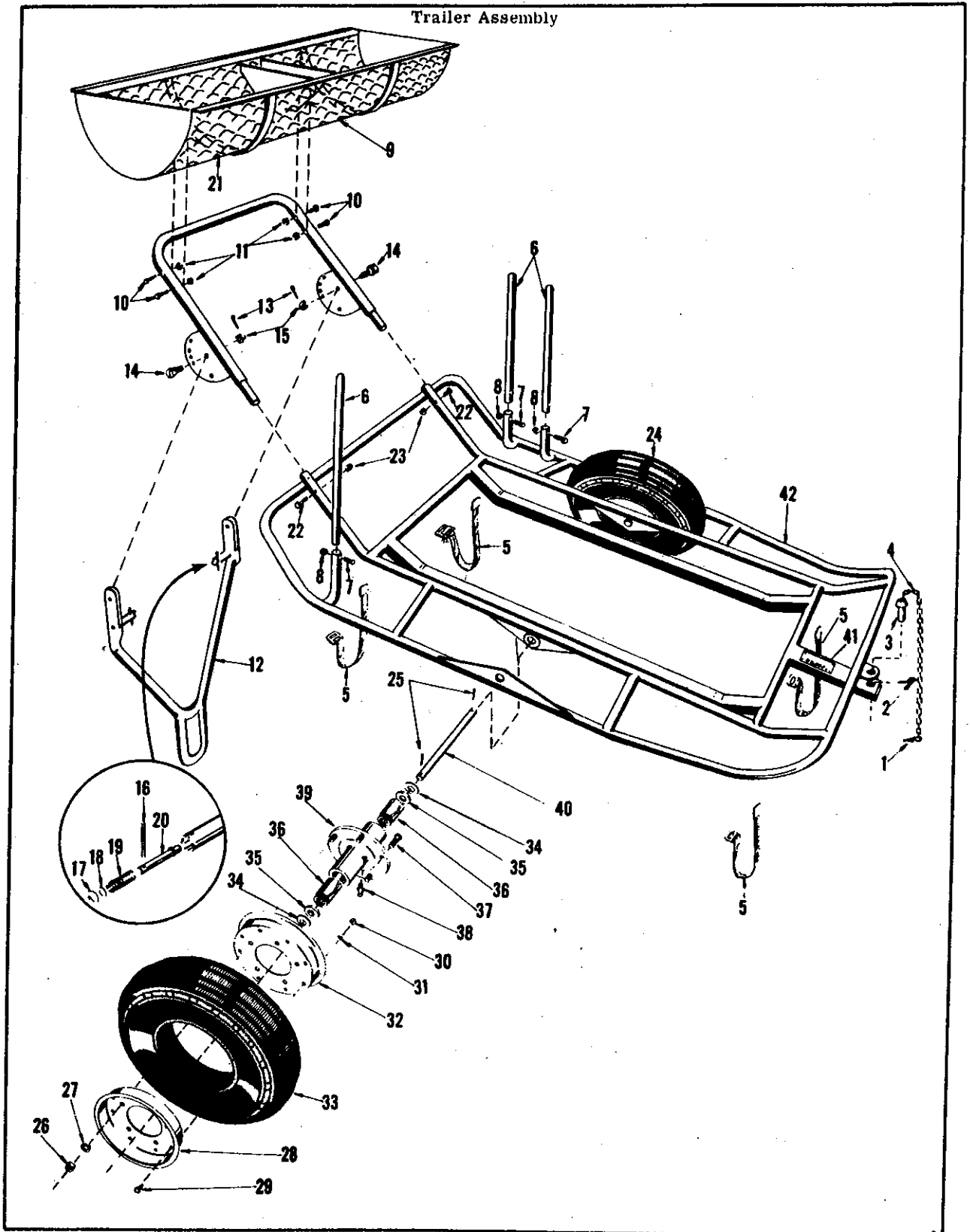


Figure 16. BBT102 Trailer Assembly

Figure & Index No.	Part Number	Description	1	2	3	4	5	6	Units Per Assy	Usable On Code
TRAILER ASSEMBLY										
17-	BBT103	TRAILER ASSY, Type MA-1 (See Note 1)							1	
-1	TXF98A	BASKET, DUCT STORAGE							1	
		(ATTACHING PARTS)								
-2	22U-058	NUT, STOP (Manufactured by 72962.) (TX665)							6	
-3	COML	SCREW, HEX HD CAP, 5/16-18 x 3/4 IN., . . .							6	
		STL, CAD PL (TX664)								
		-----*								
-3A	TX1595	SUPPORT, BASKET, RH							1	
17-	TX1594	SUPPORT, BASKET, LH							1	
		(ATTACHING PARTS)								
-3B	22U-058	NUT, STOP (Manufactured by 72962.) (TX665)							4	
-3C	COML	SCREW, HEX HD CAP, 5/16-18 x 3/4 IN., . . .							4	
		STL, CAD PL (TX664)								
		-----*								
-4	TX485	SUPPORT, 6 IN. DUCT							3	
		(ATTACHING PARTS)								
-5	22U-058	NUT, STOP (Manufactured by 72962.) (TX665)							3	
-6	COML	SCREW, HEX HD CAP, 5/16-18 NC-2 x							3	
		1-1/2 IN., STL, CAD PL (TX661)								
		-----*								
-7	TXF97	BAR ASSY, TOW							1	
		(ATTACHING PARTS)								
-8	22U-066	NUT, STOP (Manufactured by 72962.) (TX671)							2	
-9	65-6-10	BOLT							2	
-10	TX669	BUSHING, PIVOT							2	
		-----*								
-11	52-048-250-0750	ROLLPIN (Manufactured by 72962.) . . .							2	
		(TX494)								
-12	5000-75-MF	RING, RETAINING (Manufactured by . . .							2	
		79136.) (TX493)								
-13	TX492	WASHER							2	
-14	TX491	SPRING, LOCKING BOLT							2	
-15	TX495	BOLT, LOCKING							2	
-16	TXF99	HANDLE ASSY							1	
		(ATTACHING PARTS)								
-17	65-6-10	BOLT							6	
-18	AN935-616	WASHER							6	
		-----*								
17-	TXF102	PIN ASSY, TOW							1	
-19	8144131	PIN, LOCK (Manufactured by 00000) (TX657)							1	
-20	AN380-4-3	PIN, COTTER							1	
-21	TX668	PIN, TOW							1	
		(ATTACHING PARTS)								
17-	52-022-094-0750	ROLLPIN (Manufactured by 72962.) . . .							1	
		(TX658)								
		-----*								
-22	TX667	CHAIN, TOW PIN							1	
-23	TX512	BELT, TIEDOWN							4	
-24	TX518	NAMEPLATE, IDENTIFICATION							1	

Note 1: The Part NO. BBT103 Type MA-1 trailer was used for all early production of the H-1 heaters. It was also used interchangeably with the Part NO. 5505TR100 Type MA-1 trailer (manufactured by 98455) on intermediate production. Also see figure 19.

Changed 10 June 1964

Section II
Group Assembly Parts List

T. O. 35E7-2-3-4

Figure & Index No.	Part Number	Description						Units Per Assy	Usable On Code
		1	2	3	4	5	6		
17-	4 x 1/4	.							
						(ATTACHING PARTS)			
		.				SCREW, DRIVE (Manufactured by 45722.)	4		
						(TX545)			
						-----*			
-25	G-598LR	.				WHEEL AND HUB ASSY, 6.00 x 9 (Manu-	2		
						factured by 83269.) (TX704) (See			
						figure 18)			
						(ATTACHING PARTS)			
-26	#AN380-4-7	.				PIN, COTTER	2		
-27	#AN320-16	.				NUT	2		
-28	#X36-15	.				WASHER, TONGUE (Manufactured by 97504.) . .	2		
						-----*			
-29	#EL-54156	.				SPINDLE AND SHACKLE ASSY (Manufac-	2		
						tured by 97504.)			
						(ATTACHING PARTS)			
-30	#EL-53224-15	.				PIN, COTTER (Manufactured by 97504.)	4		
-31	#EL-55115	.				NUT, HEX, SLOT. (Manufactured by 97504.) . .	4		
-32	#EL-55109	.				BOLT, SHACKLE (Manufactured by 97504.) . . .	4		
						-----*			
-33	#EL-52133-9	.				FITTING, GREASE (Manufactured by 97504.) . .	4		
-34	#AN121504	.				NUT	4		
-35	#AN935-616	.				WASHER	4		
-36	#EL-55107	.				PLATE, TIE (Manufactured by 97504.)	2		
-37	#EL-55106	.				U-BOLT (Manufactured by 97504.)	2		
-38	#AN121503	.				NUT	1		
-39	#EL-54171	.				BOLT, CENTER (Manufactured by 97504.)	1		
-40	#EL-54159	.				SPRING ASSY (Manufactured by 97504.)	2		
-41	TXF113	.				RETAINER ASSY, Heater to trailer	2		
						(ATTACHING PARTS)			
-42	COML	.				SCREW, HEX HD CAP, 5/16-18 x 3/4 IN., . . .	8		
						STL, CAD PL (TX664)			
-43	COML	.				WASHER, LK, INT tooth, 5/16 IN., 0.607 . . .	8		
						to 0.594 IN. OD, 0.045 IN. THK,			
						STL, CAD PL (TM589)			
						-----*			
-44	TXF101	.				BED ASSY, TRAILER	1		

These parts comprise a repair assembly. Order part NO. EL-55108 (manufactured by 97504) (TX705).

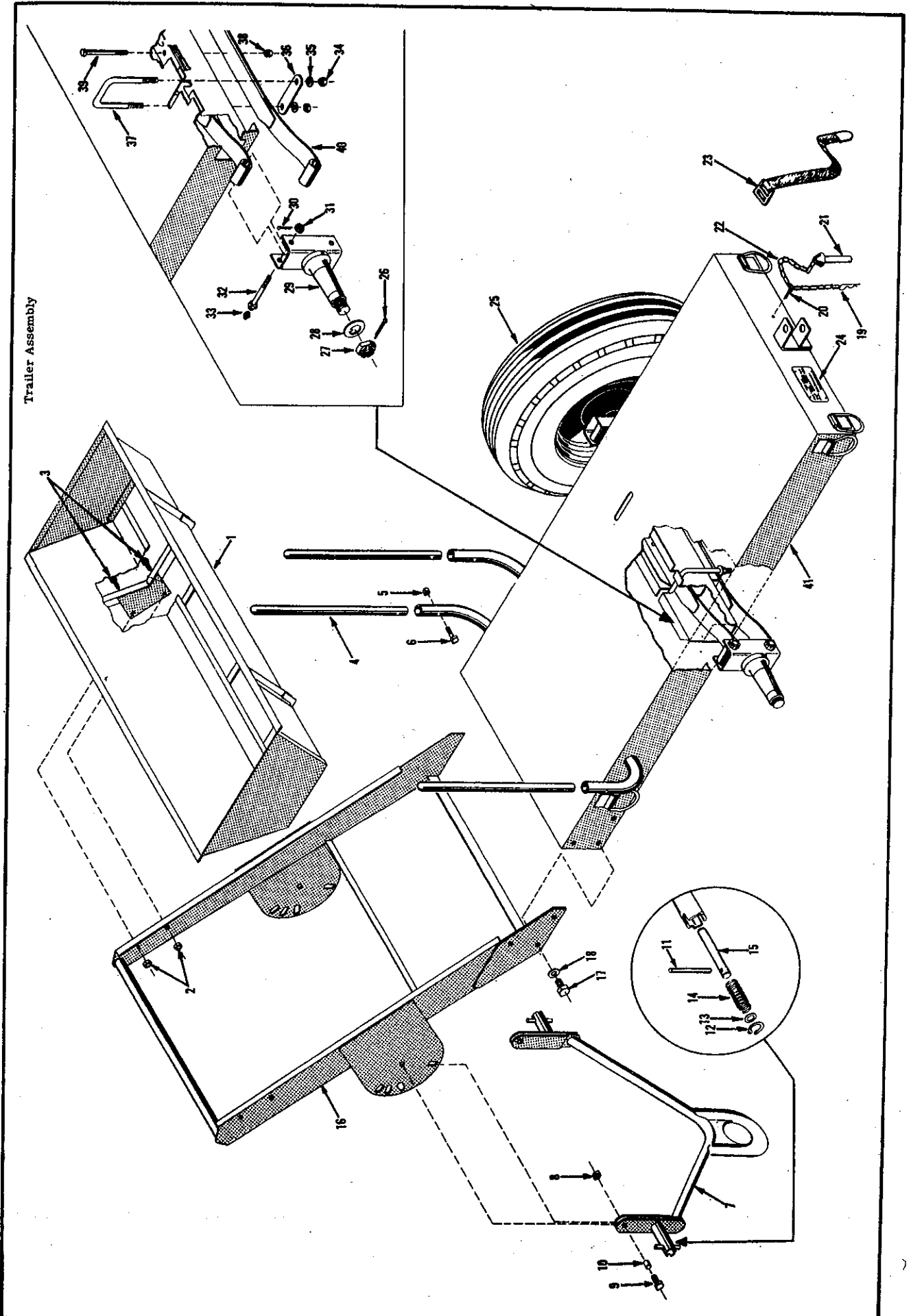


Figure 17. BBT103 Trailer Assembly, Type MA-1

Section II
Group Assembly Parts List

T. O. 35E7-2-3-4

Figure & Index No.	Part Number	Description						Units Per Assy	Usable On Code
		1	2	3	4	5	6		
TRAILER ASSEMBLY									
18-	G-598LR	WHEEL AND HUB ASSY, 6.00 x 9 (Manufactured . . . by 83269.) (TX704) (See figure 17, item 25 for next higher assembly)						REF	
18-	G-599-L	WHEEL ASSY (Manufactured by 83269.)						1	
(ATTACHING PARTS)									
-1	AN325-8	NUT						5	
-2	AN935-816	WASHER						5	
-3	G-661-A	STUD, WHEEL HUB (Manufactured by 83269.)						5	
----*----									
-4	*No Number	RIM SET						NP	
(ATTACHING PARTS)									
-5	AN325-6	NUT						8	
-6	AN935-616	WASHER						8	
-7	60-6-6	SCREW						8	
----*----									
-8	COML	TIRE, PNEUMATIC, 6.00 x 9, 6 ply Federal Specification ZZ-T-410						1	
-8	COML	TUBE, INNER, 6.00 x 9, Federal Specification ZZ-T-410						1	
18-	*No Number	HUB ASSY						NP	
-9	A-260	CAP, HUB (Manufactured by 83269.)						1	
-10	G-664-A	RETAINER, GREASE (Manufactured by 83269.)						1	
-11	15123	BEARING, ROLLER, Inner race (Manufactured by 60038.)						1	
-12	15245	BEARING, ROLLER, Outer race (Manufactured by 60038.)						1	
-13	24780	BEARING, ROLLER, Inner race (Manufactured by 60038.)						1	
-14	24720	BEARING, ROLLER, Outer race (Manufactured by 60038.)						1	
-15	G-568-W	HUB (Manufactured by 83269.)						1	

* Indicates non-procurable part or assembly.

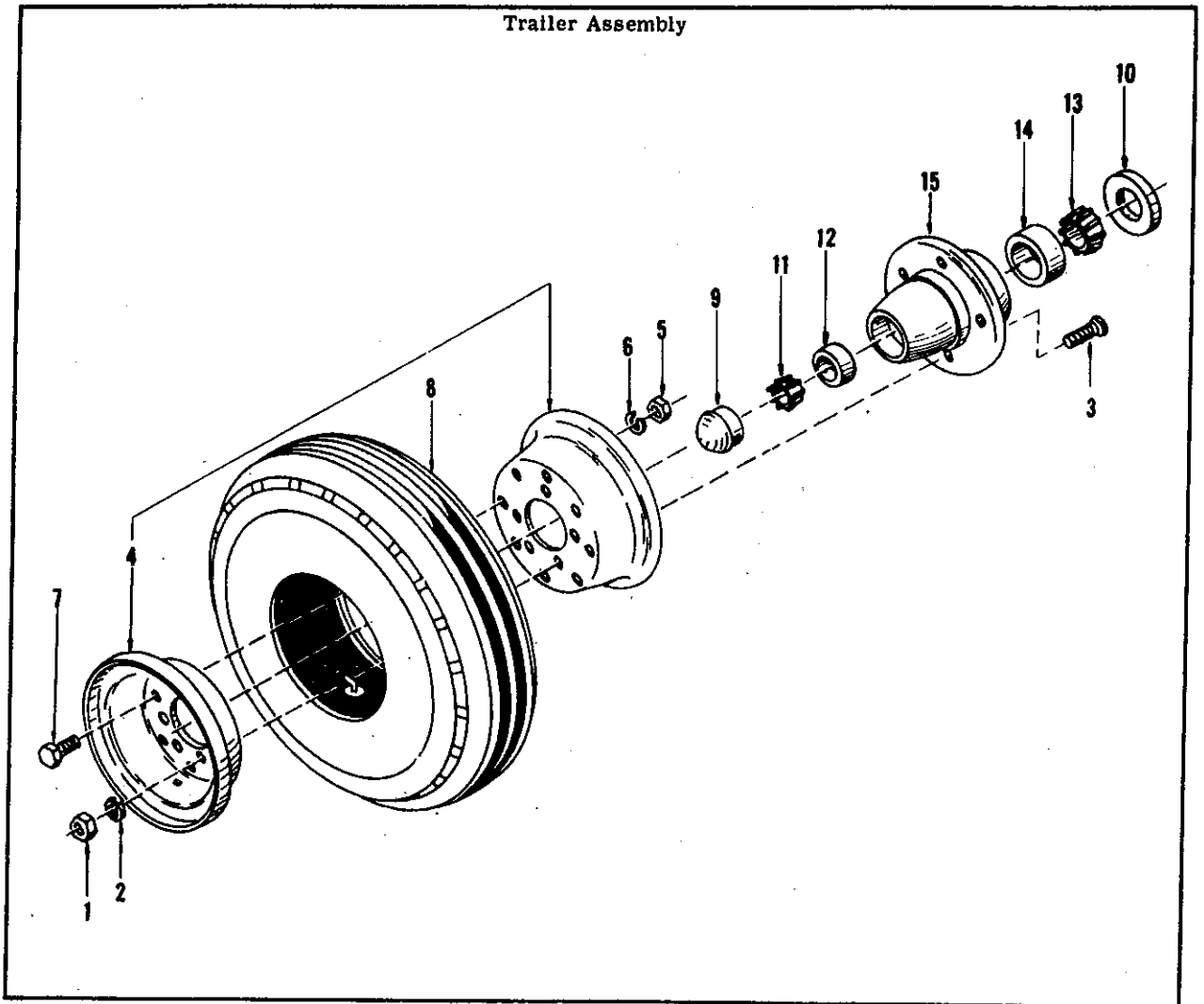


Figure 18. Wheel and Hub Assembly

Section II
Group Assembly Parts List

T. O 35E7-2-3-4

Figure & Index No.	Part Number						Description 6	Units Per Assy	Usable On Code
		1	2	3	4	5			
TRAILER ASSEMBLY									
19-	5505TR100						TRAILER ASSY, Type MA-1 (Manufactured by 98455.) (See Notes 1 and 3)	1	
19-	TR100						TRAILER ASSY, Type MA-1 (Manufactured by The John Mason Co., Davenport, Iowa) (See Notes 2 and 3)	1	
-1	TR150						BASKET, DUCT (Manufactured by The John . . . Mason Co., Davenport, Iowa) (TX1707)	1	
	TR104						BASKET, DUCT (Manufactured by 98455) (TX1707) (ATTACHING PARTS)	1	
-2	TR152						BOLT, "J" (Manufactured by The John Mason Co., Davenport, Iowa)	4	
-3	AN335-4						NUT	4	
-4	AN935-416						WASHER ---*---	4	
-5	TR101						HOLDER, DUCT (Manufactured by The John . . Mason Co., Davenport, Iowa) (ATTACHING PARTS)	3	
-6	65-4-20						BOLT	3	
-7	AN335-4						NUT	3	
-8	AN935-416						WASHER ---*---	3	
-9	TR113						SHIELD, SNOW (Manufactured by The John . . . Mason Co., Davenport, Iowa)	1	
-10	TR280-1						HANDLE, SIDE (Manufactured by The John . . . Mason Co., Davenport, Iowa)	1	
-11	TR280-2						HANDLE, SIDE (Manufactured by The John . . . Mason Co., Davenport, Iowa)	1	
-12	TR281						HANDLE, HORIZONTAL (Manufactured by . . . The John Mason Co., Davenport, Iowa) (ATTACHING PARTS)	1	
-13	65-4-20						BOLT	2	
-14	AN335-4						NUT	2	
-15	AN935-416						WASHER ---*---	2	
-16	TR260						BAR ASSY, TOW (Manufactured by The John . . Mason Co., Davenport, Iowa) (ATTACHING PARTS)	1	
-17	5502TR112						PIN ASSY, TOW (Manufactured by The John . . . Mason Co., Davenport, Iowa)	1	
-17A	8144131						PIN, LOCK (Manufactured by 00000)	1	
-18	65-8-24						BOLT	1	
-19	AN355-8						NUT	1	
-20	AN935-816						WASHER	1	
-21	AN515-416-5						SCREW	2	
-22	AN935-416						WASHER ---*---	2	
-23	5502TR115						PIN ASSY, LOCKING (Manufactured by The John Mason Co., Davenport, Iowa)	2	
-23A	8144131						PIN, LOCK (Manufactured by 00000)	1	

Note 1: The Part NO. 5505TR100 Type MA-1 Trailer was used interchangeably with the Part NO. BBT103 Type MA-1 trailer (manufactured by 05496) on intermediate production of the H-1 heater.

Note 2: The Part NO. TR100 Type MA-1 trailer (manufactured by The John Mason Co., Davenport, Iowa) is used with the H-1 heaters beginning with Serial Number 84824.

Note 3: All parts are interchangeable between the Part NO. 5505TR100 and TR100 Type MA-1 trailers except those indicated by the symbol § or §§.

Changed 10 June 1964

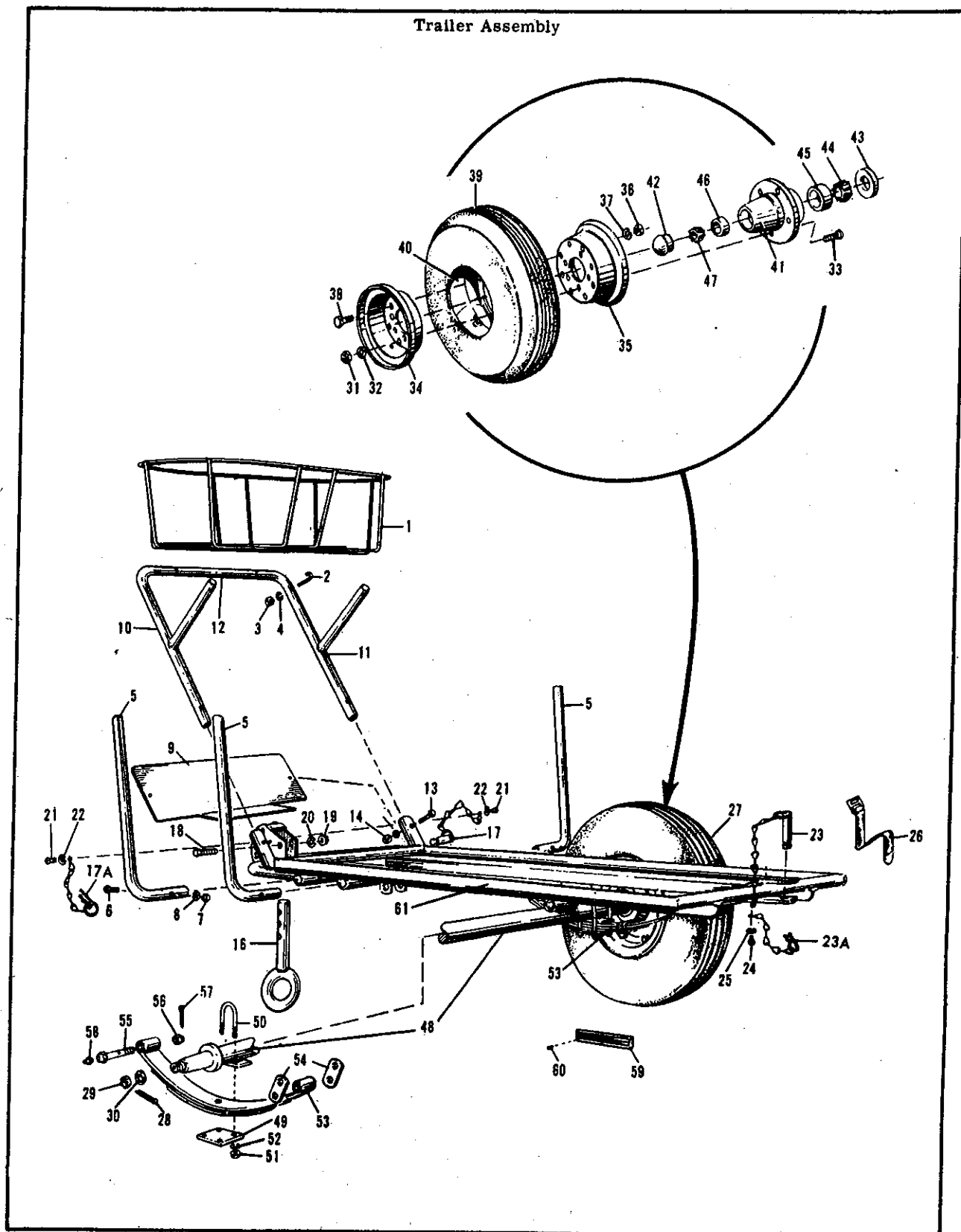


Figure 19. 5505TR100 and TR100 Trailer Assy, Type MA-1

Change 7 - 7 December 1965

Figure & Index No.	Part Number	Description						Units Per Assy	Usable On Code
		1	2	3	4	5	6		
		(ATTACHING PARTS)							
19-24	AN55-4-4	.						1	
-25	AN935-416	.						1	
-26	TR28	.						4	
-27	No Number	.						2	
		(ATTACHING PARTS)							
-28	AN380-4-7	.						2	
-29	AN320-16	.						2	
-30	13108	.						2	
19-	TR23	.						1	
		(ATTACHING PARTS)							
-31	AN325-8	.						5	
-32	AN935-816	.						5	
-33	G-661-A	.						5	
-34	R9-4.00-1	.						1	
-35	R9-4.00-2	.						1	
		(ATTACHING PARTS)							
-36	AN325-6	.						8	
-37	AN935-616	.						8	
-38	60-6-6	.						8	
-39	COML	.						1	
-40	COML	.						1	
-41	9-10C100-1	.						1	
-42	9-10-C-102	.						1	
-43	9-10-C-104	.						1	
-44	A-18393	.						1	
19-	15123	.						1	
-45	15245	.						1	
-46	A-10322	.						1	
-47	24720	.						1	
19-	24780	.						1	
-48	TR21	.						1	
		(ATTACHING PARTS)							
-49	TR108	.						2	

Figure & Index No.	Part Number	Description						Units Per Assy	Usable On Code
		1	2	3	4	5	6		
19-50	TR109	.	BOLT, "U"					4	
-51	AN335-4	.	NUT					8	
-52	AN935-416	.	WASHER					8	
			----*----						
-53	§5502TR120	.	SPRING ASSY (Manufactured by 98455.)					2	
-53	§§TR22	.	SPRING ASSY (Manufactured by The John ... Mason Co., Davenport, Iowa) (ATTACHING PARTS)					2	
-54	TR105	.	SHACKLE (Manufactured by The John Mason . Co., Davenport, Iowa)					4	
-55	TR26	.	BOLT, SHACKLE (Same as 5501TR111 by 98455) (Manufactured by The John Mason Co., Davenport, Iowa)					6	
-56	AN330-9	.	NUT					6	
-57	COML	.	PIN, COTTER, Locking					6	
			----*----						
-58	COML	.	FITTING, GREASE, Zerk (Manufactured ... by 57733.)					6	
-59	No Number	.	PLATE, NAME					1	
			(ATTACHING PARTS)						
-60	AN535-00-2	.	SCREW					6	
			----*----						
-61	§5504TR200	.	FRAME ASSY, TRAILER (Manufactured by .. 98455.)					1	
-61	§§TR200	.	FRAME ASSY, TRAILER (Manufactured by .. The John Mason Co., Davenport, Iowa)					1	

§ Used with Part NO. 5505TR100 Type MA-1 trailer (manufactured by 98455).

§§ Used with Part NO. TR100 Type MA-1 trailer (manufactured by The John Mason Co., Davenport, Iowa).

SECTION III
NUMERICAL INDEX

PART NO.	STOCK NO.		FIG. & INDEX NO.	QTY PER ART	SOURCE CODE
	CLASS CODE	SERIAL OR PART NO.			
A-A04036B-U			11-29	1	
A-A13900-2			10-46	1	
A-A14135A-U			10-7	1	
A-A14365B-136			10-26	2	
A-A14735A-U			11-20	1	
A-A14865-2			11-49	1	
A-A15289A-A7			11-44	1	
A-C14375A-V			10-5	2	
			11-7		
A-C62H30AG-2			11-17	1	
A-C62H30C-2			10-15	1	
A-SA14136A-1U			10-33	1	
A-S14143-1			10-27	1	
A-S60497-2			11-	1	
A-10322			19-46	2	
A-11651-1			10-14	1	
A-12155-11S			10-8	4	
A-12155-12S			11-9	4	
A-14364			10-44	1	
A-15305			11-47	1	
A-15323A-7			11-30	1	
A-1545			14-49	1	
A-18393			19-44	2	
A-260			18-9	2	
A-2894			14-54	1	
A-3783-1			10-	NP	
A-4099			14-52	2	
A-562			14-50	1	
A-563			14-51	1	
A-564			14-46	1	
A-565			14-43	1	
A-570			14-44	1	
A-571			14-48	1	
A-573			14-45	1	
A-574A			14-53	2	
A-627			14-47	1	
A-630			14-	1	
A-630-6			6-25	1	
AA7-A-200			9-39	1	
AA7-A-200-0.005			9-	AR	P1
AA7-A-200-0.010			9-	AR	P1
AA7-A-202			9-14	1	P1
AA7-A-203			9-17	1	P1
AA7-A-213			9-61	2	P1
AA7-A-300			9-42	2	
AA7-A-300			9-42	2	
AA7-A-300P010			9-	AR	
AA7-A-300P020			9-	AR	
AA7-A-300P030			9-	AR	
AA7-A-301			9-43	1	
AA7-A-301P010			9-	AR	
AA7-A-301P020			9-	AR	

Change 7 - 7 December 1965